

Client _____ Quantity _____
Project _____ Position _____

Master Combi 700 cabinet

Model: A70/2MMR

Cod: A14071220201



Technical data

Gross capacity:	562 lt
Temperature range:	-2°+8°C/-2°+8°C
Refrigerant unit:	remote
Cooling gas:	R452a
Defrost:	Electric
Valve:	Supplied standard with solenoid
Dimensions (mm):	740×815×2085 mm
Packing dimensions:	835×930×2138 mm
Gross weight:	160 Kg
Voltage:	220-240 V - 50-60 Hz
Total rate:	1270 W
Absorbed Current:	5,8 A
Cooling capacity:	368 W*
Cooling capacity 2:	368 W*
*:	Evap. -10°C Cond. +55°C

Features

Standard equipment:	4 coppie guida per griglie GN2/1 4 griglie plastificate GN2/1 Serratura con chiave Illuminazione LED
Control:	Electronic, display flush with the panel
Doors:	2 sportelli, autochiudenti con fermo a 105°, cerniere a destra
Door gasket:	Magnetic, triple chamber and easily replaceable
Insulation:	75 mm thickness - CFC/HCFC free
Exterior/interior finishing:	Exterior and interior AISI 304 stainless steel. Back, base and internal technical compartment in galvanized/colaminated steel.
Inner corners:	Rounded for easy cleaning and ensuring maximum hygiene
Handle:	Stainless steel AISI 304, 2 mm thick
Racks and slides:	Stainless steel AISI 304
Feets:	AISI 304 stainless steel adjustable h 100/150 mm

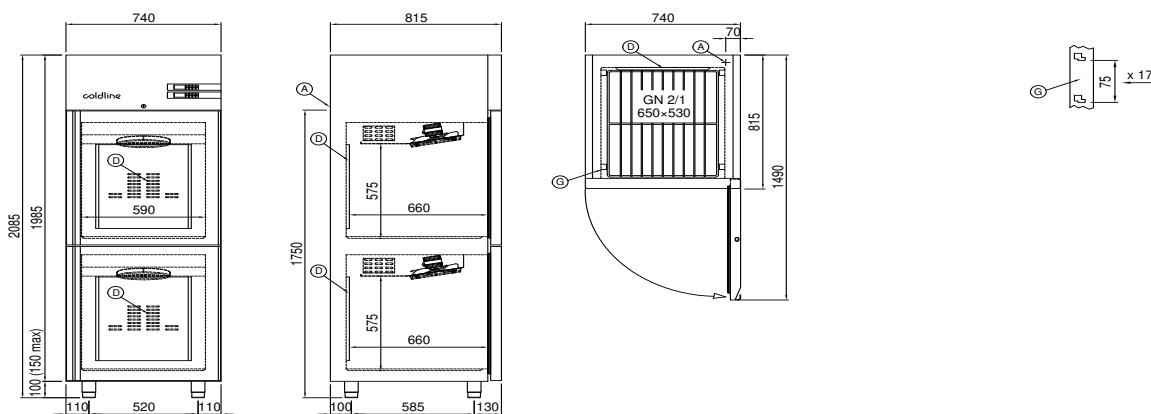
Accessories and variants

- Power supply frequency 60Hz
- Other special voltage
- Frame for fixed masonry plinth
- RAL customisable colouring
- Master Marine solutions
- Remote condensing unit EMT6144GK
- 4 Swivel and brake castors h 128 mm
- Stainless steel shelf GN2/1
- Plastic coated shelf GN2/1
- Pair of type C slides 605 mm
- Stainless steel drawer, h 150 mm 700/1400
- Bottles shelf, stainless steel coating for shelf 700/1400
- Serial interface, RS485 cable
- Cosmo connection kit
- R134a valve

COSMO - wi-fi control

Cosmo is the wifi technology that allows Coldline appliances to be connected and monitored from a smartphone. The cabinet, connected with Cosmo kit or with Cosmo box wifi to a Cosmo hub (MODI, VISION or LEVTRONIC), can be monitored by the CosmoApp to receive alerts in case of abnormal operation.

Technical draw



- A:** Power supply cable outlet
- J:** Automatic evaporation of condensing water
- D:** Airflow conveyor
- G:** Racks pitch

In order to constantly offer the best possible products we reserve the right to make changes on technical specifications without incurring any obligation for equipment previously or subsequently sold.