

# Fast and energy saving

TDR 5 Programmable

**The Turbo Deli Rotisserie is the fastest original rotisserie in the industry! The double-loop airflow heats the entire cavity in a very efficient way, preparing your products up to 30% faster than conventional rotisseries. The TDR uses fresh air, roasting a rotisserie chicken as it is meant to be: crispy and delicious while maintaining an attractive appearance for hours.**

The TDR pushes the air throughout the cavity, resulting in an improved heat transfer on the products and consequently in a reduced electricity consumption during the preparation process. Thanks to **Eco Cooking the TDR saves 5% additional energy.** Add to this the improved heat transfer on the products and a fast preparation process and you have yourself the most energy-efficient rotisserie with a high output.

**Cook Correction corrects alterations in the cooking cycle** that are due to half-loads, overloads, or products with a difference in temperature. It measures abnormalities in the temperature curve and corrects the cycle automatically, ensuring food-safety and energy-efficient cooking.



Programmable controls



Ventless hood (optional)



## Features TDR 5 Programmable

### Top features

- Controls with programmable settings - easy, consistent operation
- Cook Correction detects and corrects abnormalities during the cook cycle
- Eco Cooking uses residual heat during the last part of the cook cycle
- Endless possibilities: poultry (parts), pork roast, ribs, lamb, roast beef, pork belly, meat loaf, porchetta and other proteins

### Standard characteristics

- 5 Meat fork, V-spit, basket or rack positions
- Rotor for up to 20 chickens (1,2 kg)
- 99 programs with up to 3 cook stages per program
- USB connection for easy transfer of data and programs

### Accessories

- Meat forks (included)
- Multi-purpose baskets
- Insert for baskets
- V-spits
- Matching stand on castors

### Optional

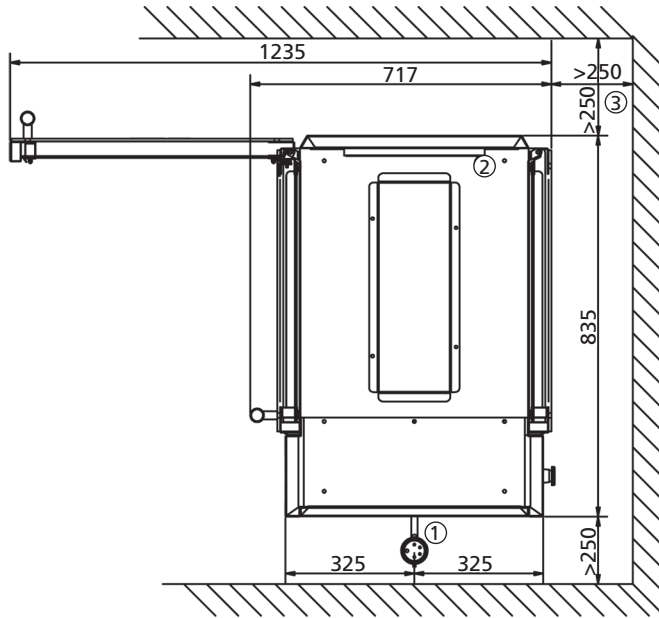
- Stacked unit 5 + 5 P
- Door handle set for pass through operation
- Flexible positioning with ventless hood
- Also available in combination with a 2 level self-serve heated display - Space Saver



5 P with self-serve heated display



Also available: Stacked TDR 5 + 5 P



## TDR 5 Programmable

- 1 Power cable, 2.2 m
- 2 Exhaust opening
- 3 Space to the wall
- 4 Location for socket

### Dimensions TDR 5 P

Width	835 mm
Depth	717 mm
Depth with hood	853 mm
Height	910 mm
Height on stand	1725 mm
Height with hood	1245 mm

### Technical data TDR 5 P

Net weight	130 kg
Gross weight	160 kg
Voltage	3N~ 400/230 V
Frequency	50/60 Hz
Power	6.6 kW

### Dimensions TDR 5 + 5 P

Width	835 mm
Depth	717 mm
Depth with hood	853 mm
Height	1790 mm
Height with hood	2124 mm

### Technical data TDR 5 + 5 P

Net weight	266 kg
Gross weight	306 kg
Voltage	3N~ 400/230 V
Frequency	50/60 Hz
Power	13.2 kW

Specifications and technical data are subject to amendment without prior notice.

These are basic drawings. For more detailed technical information, please refer to the installation manual at [www.frijado.com](http://www.frijado.com).

