

TECHNICAL DATA

Weight:	110 kg
Grill Rack size:	380 x 570 mm
Capacity:	40 covers
Working temperature:	250 - 350 °C
Av. daily charcoal cons.:	3 - 6 kg
Power:	3 kW
Exhaust rate:	2.500 m3/h
Max. smoke flow:	4,9 g/s

STANDARD EQUIPMENT

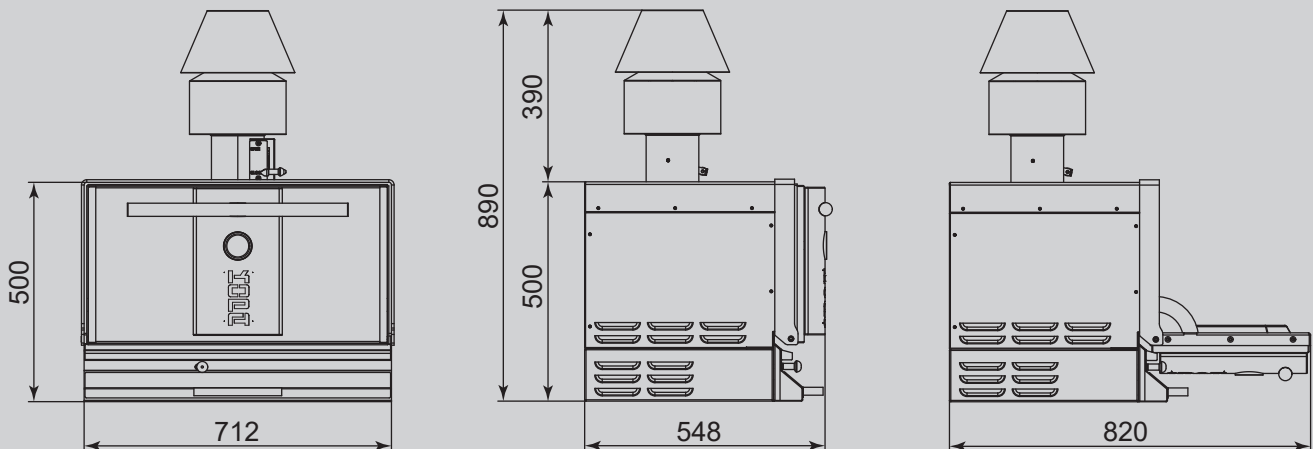
Firebreak
 Firebreak Hood
 Grill Rack
 Kopa Tong
 Ash Drawer

OPTIONAL EQUIPMENT

Additional Grill Rack
 Additional Tong
 Brush



TECHNICAL DRAWINGS



Available in these colors:



Red



Black



Brown



Shiny metal and gold*
 *surcharge

TECHNICAL DATA

Weight:	158 kg
Grill Rack size:	380 x 570 mm
Capacity:	40 covers
Working temperature:	250 - 350 °C
Av. daily charcoal cons.:	3 - 6 kg
Power:	3 kW
Exhaust rate:	2.500 m3/h
Max. smoke flow:	4,9 g/s

STANDARD EQUIPMENT

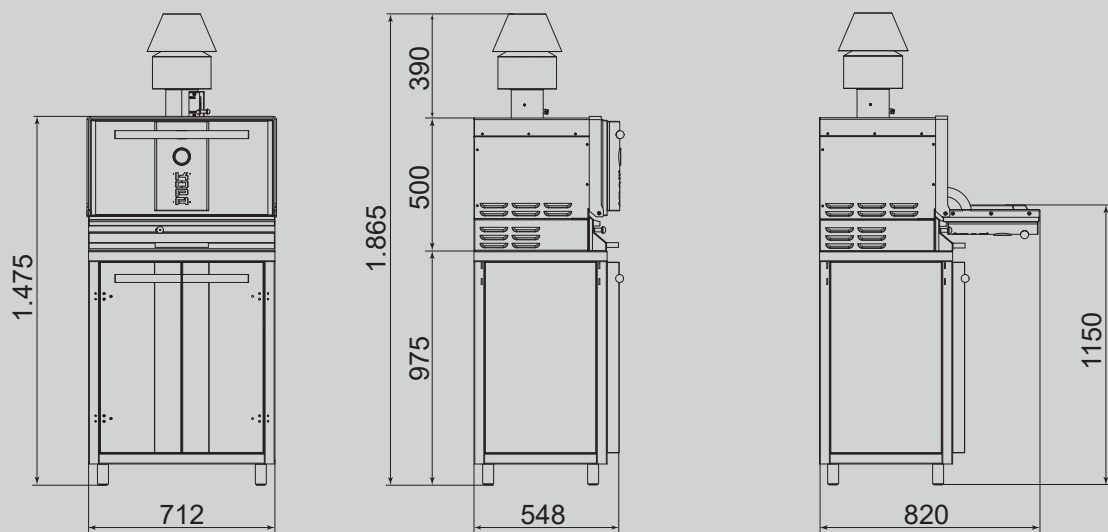
Firebreak
 Firebreak Hood
 Grill Rack
 Kopa Tong
 Ash Drawer
 Closed stand with shelf

OPTIONAL EQUIPMENT

Additional Grill Rack
 Additional Tong
 Brush
 Side Table - left and right
 Wheels



TECHNICAL DRAWINGS



Available in these colors:



Red



Black



Brown



Shiny metal and gold*
 *surcharge

TECHNICAL DATA

Weight:	124 kg
Grill Rack size:	30 x 570 mm
Capacity:	40 covers
Working temperature:	250 - 350 °C
Av. daily charcoal cons.:	5 - 8 kg
Power:	3 kW
Exhaust rate:	2.500 m ³ /h
Max. smoke flow:	4,9 g/s

STANDARD EQUIPMENT

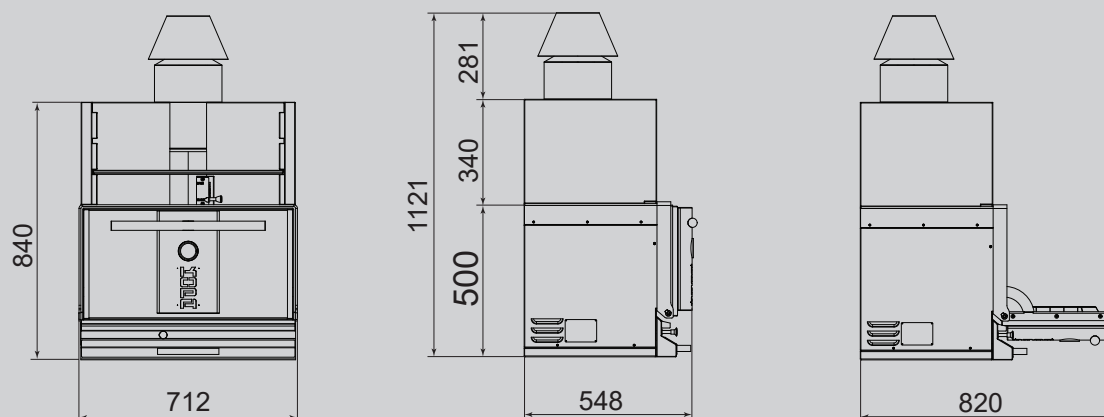
Firebreak
 Firebreak Hood
 Grill Rack
 Kopa Tong
 Ash Drawer
 Heating rack

OPTIONAL EQUIPMENT

Additional Grill Rack
 Additional Thong
 Brush



TECHNICAL DRAWINGS



Available in these colors:



Red



Black



Brown



Shiny metal and gold*
 *surcharge

TECHNICAL DATA

Weight:	137 kg
Grill Rack size:	380 x 570 mm
Capacity:	40 covers
Working temperature:	250 - 350 °C
Av. daily charcoal cons.:	3 - 6 kg
Power:	3 kW
Exhaust rate:	2.500 m ³ /h
Max. smoke flow:	4,9 g/s

STANDARD EQUIPMENT

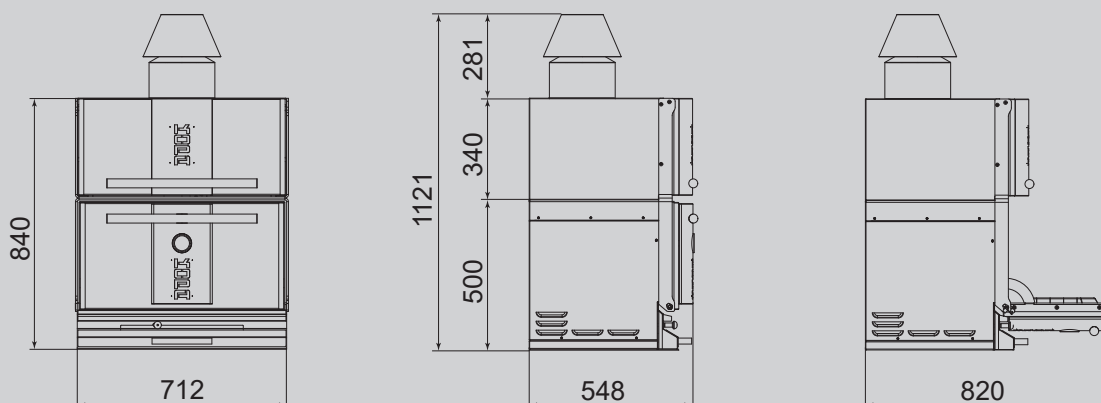
Firebreak
 Firebreak Hood
 Grill Rack
 Kopa Tong
 Ash Drawer
 Hot cupboard with shelf

OPTIONAL EQUIPMENT

Additional Grill Rack
 Additional Thong
 Brush



TECHNICAL DRAWINGS



Available in these colors:



Red



Black



Brown



Shiny metal and gold*
 *surcharge

TECHNICAL DATA

Weight:	172 kg
Grill Rack size:	380 x 570 mm
Capacity:	40 covers
Working temperature:	250 - 350 °C
Av. daily charcoal cons.:	3 - 6 kg
Power:	3 kW
Exhaust rate:	2.500 m3/h
Max. smoke flow:	4,9 g/s

STANDARD EQUIPMENT

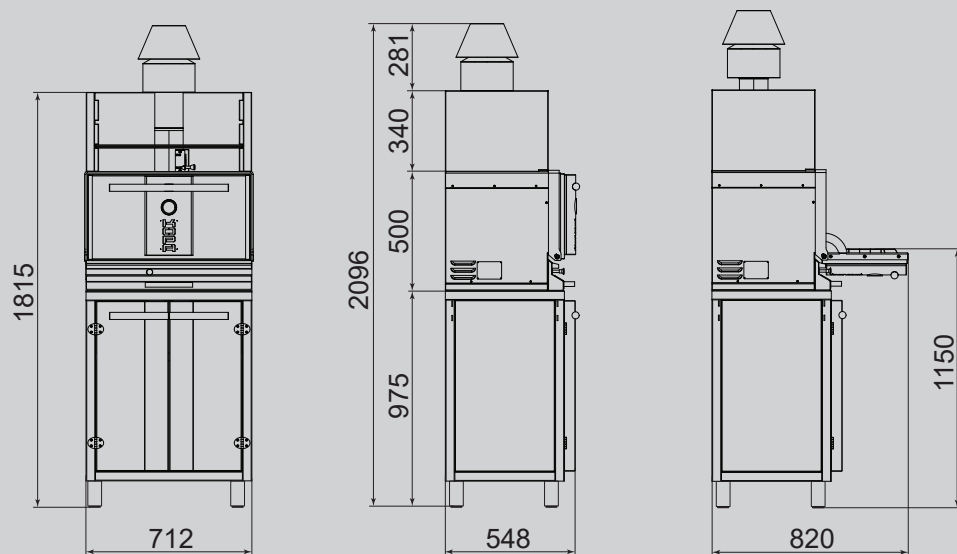
Firebreak
 Firebreak Hood
 Grill Rack
 Kopa Tong
 Ash Drawer
 Closed stand with shelf
 Heating rack

OPTIONAL EQUIPMENT

Additional Grill Rack
 Additional Tong
 Brush
 Side Table - left and right
 Wheels



TECHNICAL DRAWINGS



Available in these colors:



Red



Black



Brown



Shiny metal and gold*
 *surcharge

TECHNICAL DATA

Weight:	185 kg
Grill Rack size:	380 x 570 mm
Capacity:	40 covers
Working temperature:	250 - 350 °C
Av. daily charcoal cons.:	3 - 6 kg
Power:	3 kW
Exhaust rate:	2.500 m3/h
Max. smoke flow:	4,9 g/s

STANDARD EQUIPMENT

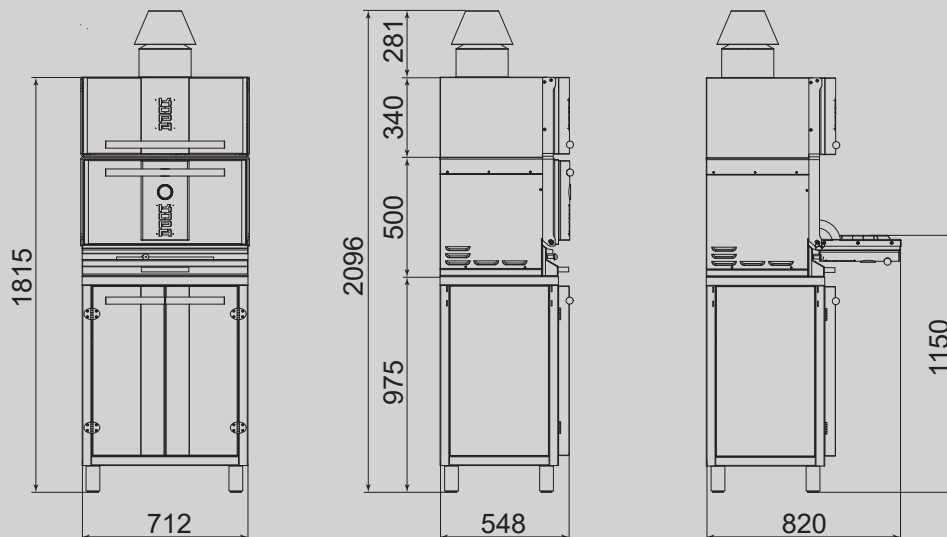
Firebreak
 Firebreak Hood
 Grill Rack
 Kopa Tong
 Ash Drawer
 Closed stand with shelf
 Hot cupboard with shelf

OPTIONAL EQUIPMENT

Additional Grill Rack
 Additional Tong
 Brush
 Side Table - left and right
 Wheels



TECHNICAL DRAWINGS



Available in these colors:



Red



Black



Brown



Shiny metal and gold*
 *surcharge

TECHNICAL DATA

Weight:	160 kg
Grill Rack size:	530 x 570 mm
Capacity:	90 covers
Working temperature:	250 - 350 °C
Av. daily charcoal cons.:	5 - 8 kg
Power:	4,5 kW
Exhaust rate:	2.900 m ³ /h
Max. smoke flow:	7,2 g/s

STANDARD EQUIPMENT

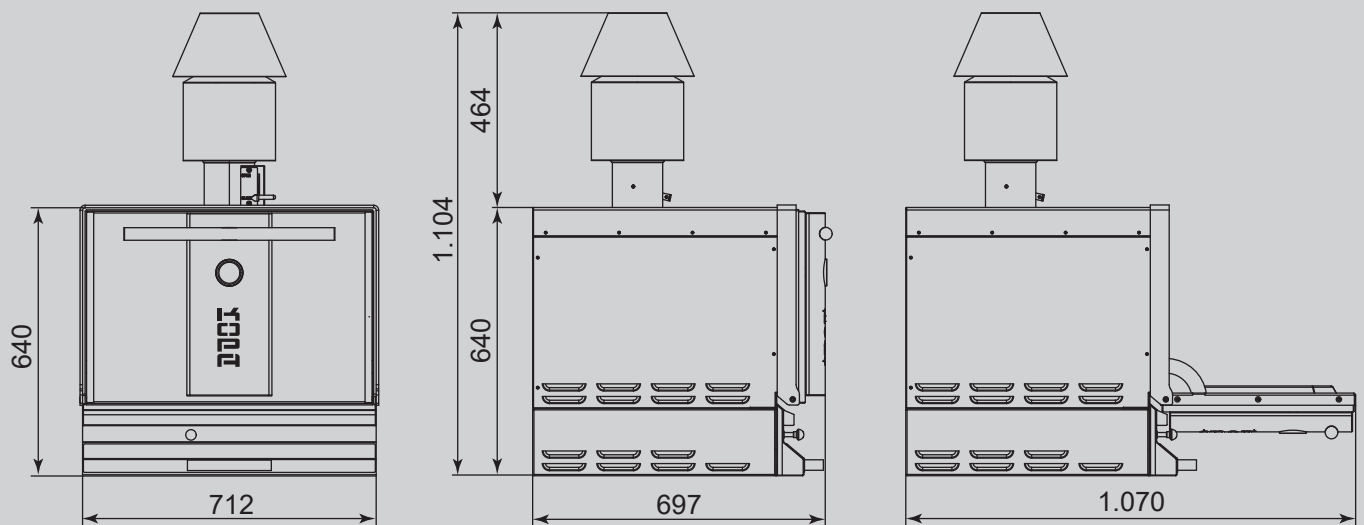
Firebreak
 Firebreak Hood
 Grill Rack 2x
 Kopa Tong
 Ash Drawer

OPTIONAL EQUIPMENT

Additional Grill Rack
 Additional Tong
 Brush



TECHNICAL DRAWINGS



Available in these colors:



Red



Black



Brown



Shiny metal and gold*
 *surcharge

TECHNICAL DATA

Weight:	212 kg
Grill Rack size:	530 x 570 mm
Capacity:	90 covers
Working temperature:	250 - 350 °C
Av. daily charcoal cons.:	5 - 8 kg
Power:	4,5 kW
Exhaust rate:	2.900 m ³ /h
Max. smoke flow:	7,2 g/s

STANDARD EQUIPMENT

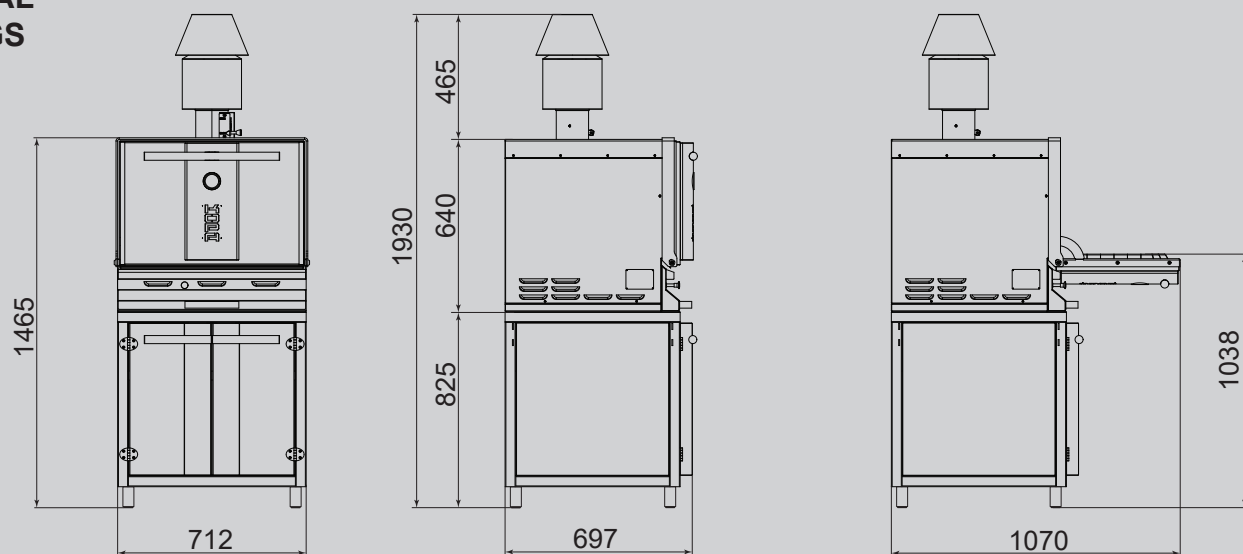
Firebreak
 Firebreak Hood
 Grill Rack 2x
 Kopa Tong
 Ash Drawer
 Closed stand with shelf

OPTIONAL EQUIPMENT

Additional Grill Rack
 Additional Tong
 Brush
 Side Table - left and right
 Wheels



TECHNICAL DRAWINGS



Available in these colors:



Red



Black



Brown



Shiny metal and gold*
 *surcharge

TECHNICAL DATA

Weight:	177 kg
Grill Rack size:	530 x 570 mm
Capacity:	90 covers
Working temperature:	250 - 350 °C
Av. daily charcoal cons.:	5 - 8 kg
Power:	4,5 kW
Exhaust rate:	2.900 m ³ /h
Max. smoke flow:	7,2 g/s

STANDARD EQUIPMENT

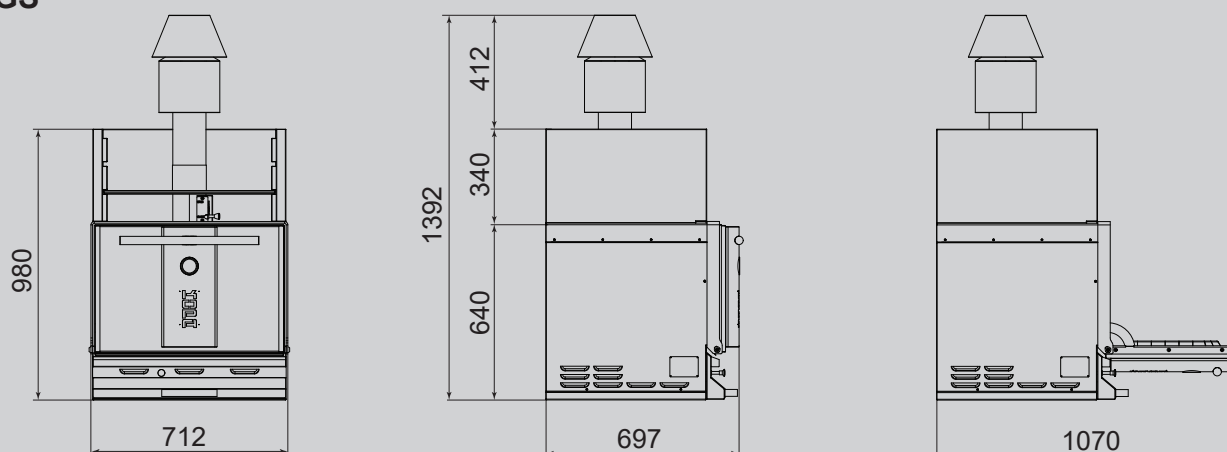
Firebreak
 Firebreak Hood
 Grill Rack 2x
 Kopa Tong
 Ash Drawer
 Hot cupboard with shelf

OPTIONAL EQUIPMENT

Additional Grill Rack
 Additional Thong
 Brush



TECHNICAL DRAWINGS



Available in these colors:



Red



Black



Brown



Shiny metal and gold*
 *surcharge

TECHNICAL DATA

Weight:	198 kg
Grill Rack size:	530 x 570 mm
Capacity:	90 covers
Working temperature:	250 - 350 °C
Av. daily charcoal cons.:	5 - 8 kg
Power:	4,5 kW
Exhaust rate:	2.900 m ³ /h
Max. smoke flow:	7,2 g/s

STANDARD EQUIPMENT

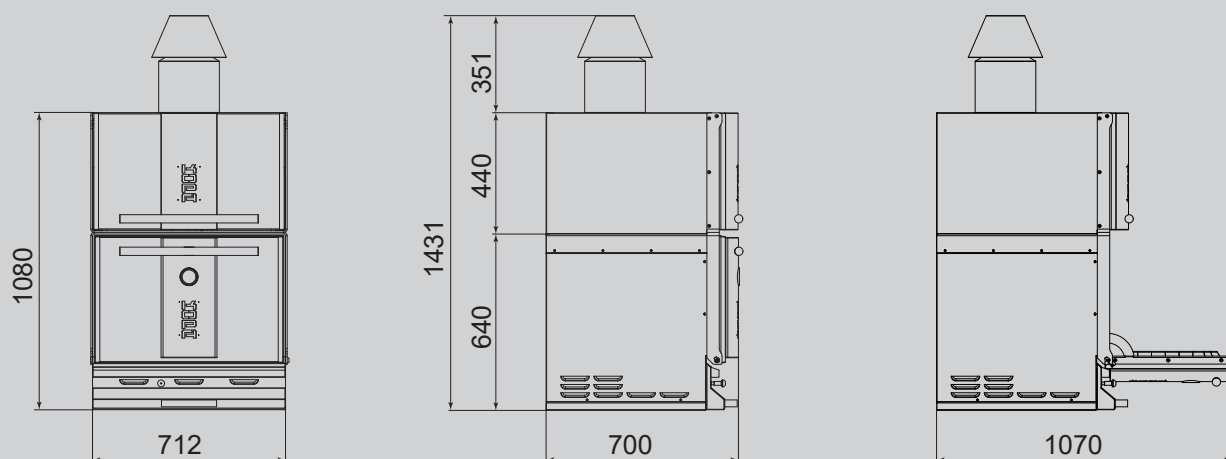
Firebreak
 Firebreak Hood
 Grill Rack 2x
 Kopa Tong
 Ash Drawer
 Hot cupboard with shelf

OPTIONAL EQUIPMENT

Additional Grill Rack
 Additional Thong
 Brush



TECHNICAL DRAWINGS



Available in these colors:



Red



Black



Brown



Shiny metal and gold*
 *surcharge

TECHNICAL DATA

Weight:	229 kg
Grill Rack size:	530 x 570 mm
Capacity:	90 covers
Working temperature:	250 - 350 °C
Av. daily charcoal cons.:	5 - 8 kg
Power:	4,5 kW
Exhaust rate:	2.900 m ³ /h
Max. smoke flow:	7,2 g/s

STANDARD EQUIPMENT

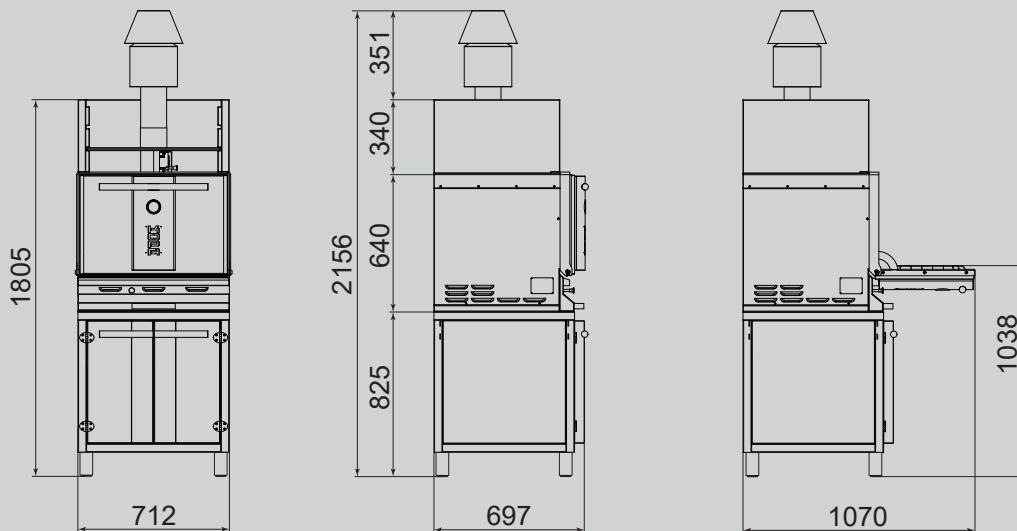
Firebreak
 Firebreak Hood
 Grill Rack 2x
 Kopa Tong
 Ash Drawer
 Closed stand with shelf
 Heating rack

OPTIONAL EQUIPMENT

Additional Grill Rack
 Additional Thong
 Brush
 Side Table - left and right
 Wheels



TECHNICAL DRAWINGS



Available in these colors:



Red



Black



Brown



Shiny metal and gold*
 *surcharge

TECHNICAL DATA

Weight:	250 kg
Grill Rack size:	530 x 570 mm
Capacity:	90 covers
Working temperature:	250 - 350 °C
Av. daily charcoal cons.:	5 - 8 kg
Power:	4,5 kW
Exhaust rate:	2.900 m ³ /h
Max. smoke flow:	7,2 g/s

STANDARD EQUIPMENT

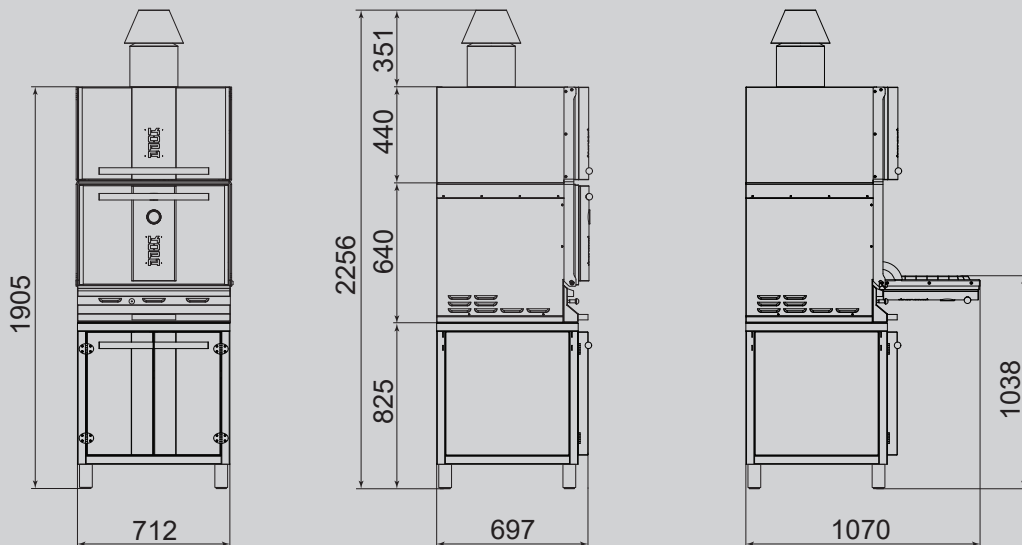
Firebreak
 Firebreak Hood
 Grill Rack 2x
 Kopa Tong
 Ash Drawer
 Closed stand with shelf
 Hot cupboard with shelf

OPTIONAL EQUIPMENT

Additional Grill Rack
 Additional Thong
 Brush
 Side Table - left and right
 Wheels



TECHNICAL DRAWINGS



Available in these colors:



Red



Black



Brown



Shiny metal and gold*
 *surcharge

TECHNICAL DATA

Weight:	210 kg
Grill Rack size:	530 x 764 mm
Capacity:	110 covers
Working temperature:	250 - 350 °C
Av. daily charcoal cons.:	8 - 12 kg
Power:	7,5 kW
Exhaust rate:	3.400 m ³ /h
Max. smoke flow:	12,5 g/s

STANDARD EQUIPMENT

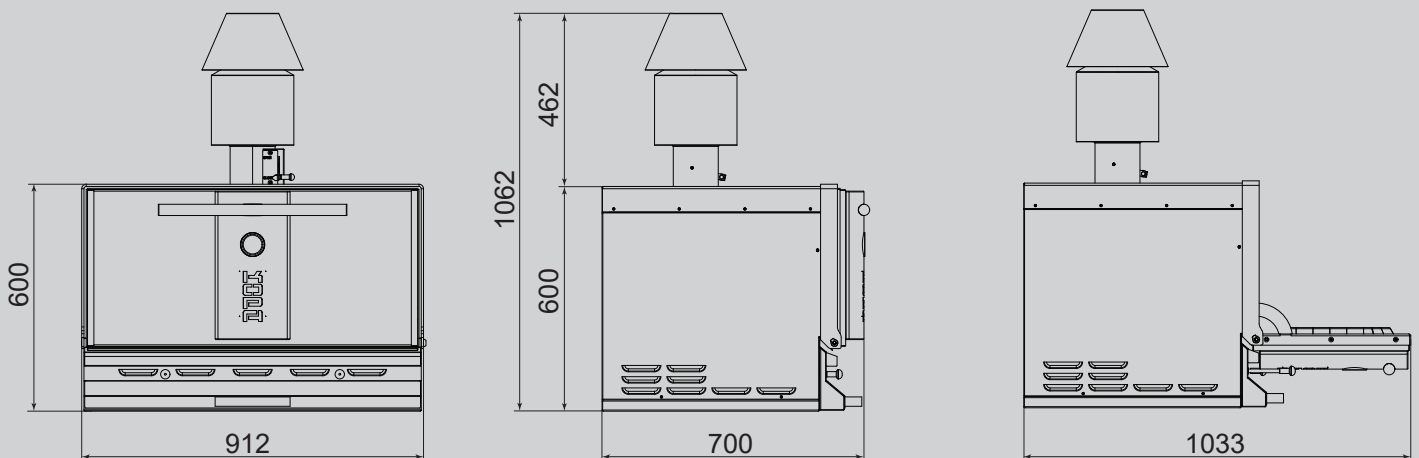
Firebreak
 Firebreak Hood
 Grill Rack x 2
 Kopa Tong
 Ash Drawer

OPTIONAL EQUIPMENT

Additional Grill Rack
 Additional Tong
 Brush



TECHNICAL DRAWINGS



Available in these colors:



Red



Black



Brown



Shiny metal and gold*
 *surcharge

TECHNICAL DATA

Weight:	265 kg
Grill Rack size:	530 x 764 mm
Capacity:	110 covers
Working temperature:	250 - 350 °C
Av. daily charcoal cons.:	8 - 12 kg
Power:	7,5 kW
Exhaust rate:	3.400 m3/h
Max. smoke flow:	12,5 g/s

STANDARD EQUIPMENT

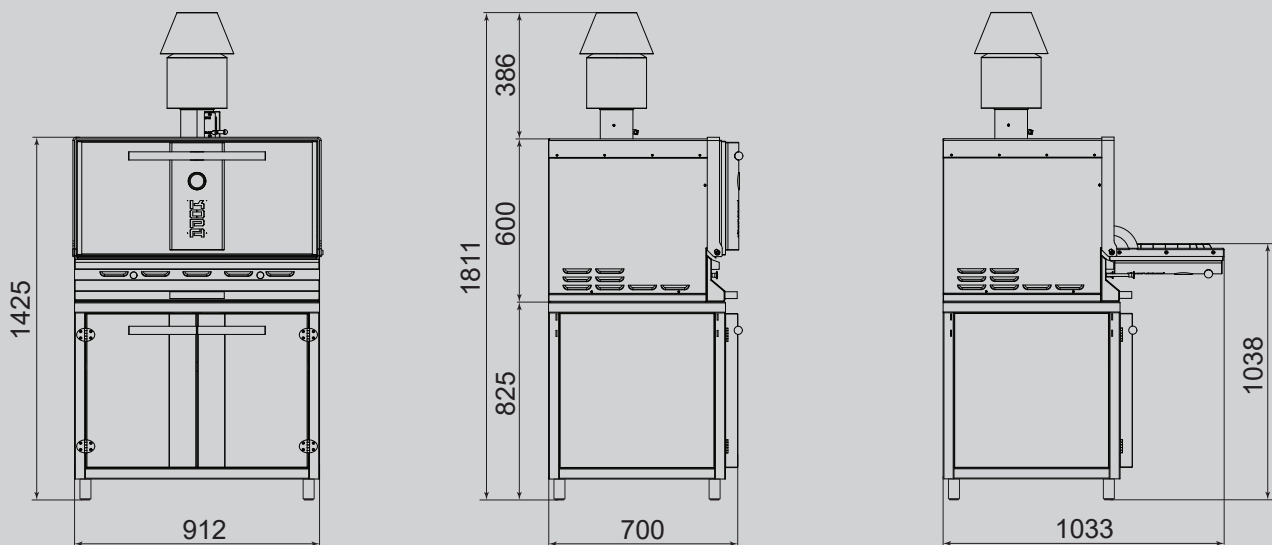
Firebreak
 Firebreak Hood
 Grill Rack x 2
 Kopa Tong
 Ash Drawer
 Closed stand with shelf

OPTIONAL EQUIPMENT

Additional Grill Rack
 Additional Tong
 Brush
 Side table - left and right
 Wheels



TECHNICAL DRAWINGS



Available in these colors:



Red



Black



Brown



Shiny metal and gold*
 *surcharge

TECHNICAL DATA

Weight:	255 kg
Grill Rack size:	530 x 764 mm
Capacity:	110 covers
Working temperature:	250 - 350 °C
Av. daily charcoal cons.:	8 - 12 kg
Power:	7,5 kW
Exhaust rate:	3.400 m3/h
Max. smoke flow:	12,5 g/s

STANDARD EQUIPMENT

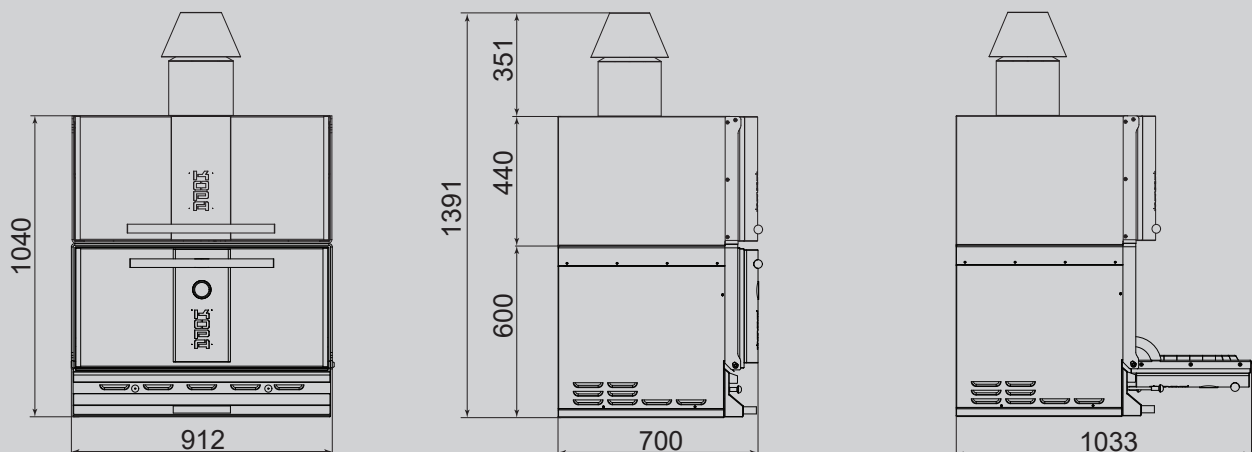
Firebreak
 Firebreak Hood
 Grill Rack x 2
 Tong
 Ash Drawer
 Hot cupboard with shelf

OPTIONAL EQUIPMENT

Additional Grill Rack
 Additional Tong
 Brush



TECHNICAL DRAWINGS



Available in these colors:



Red



Black



Brown



Shiny metal and gold*
 *surcharge

TECHNICAL DATA

Weight:	230 kg
Grill Rack size:	530 x 764 mm
Capacity:	110 covers
Working temperature:	250 - 350 °C
Av. daily charcoal cons.:	8 - 12 kg
Power:	7,5 kW
Exhaust rate:	3.400 m ³ /h
Max. smoke flow:	12,5 g/s

STANDARD EQUIPMENT

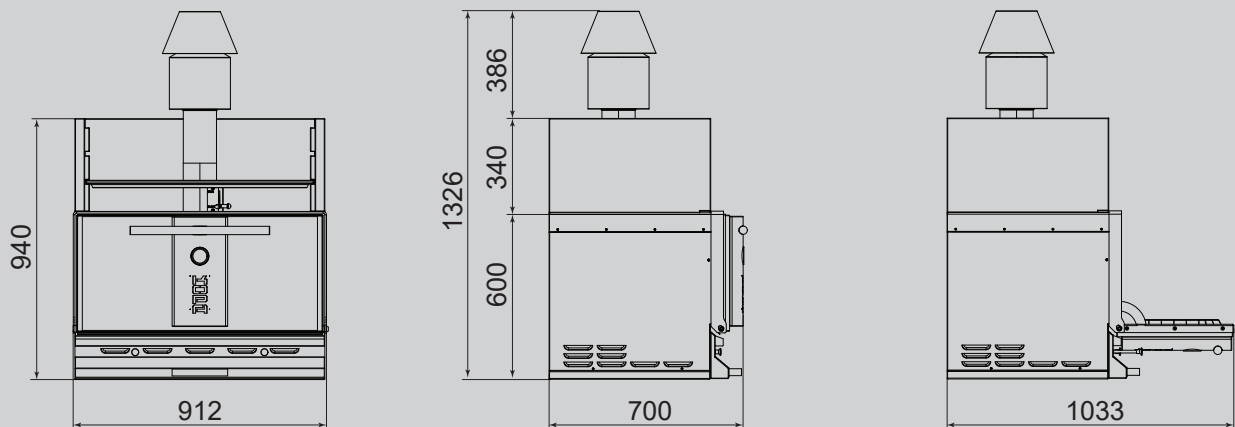
Firebreak
 Firebreak Hood
 Grill Rack x 2
 Tong
 Ash Drawer
 Heating rack

OPTIONAL EQUIPMENT

Additional Grill Rack
 Additional Tong
 Brush



TECHNICAL DRAWINGS



Available in these colors:



Red



Black



Brown



Shiny metal and gold*
 *surcharge

TECHNICAL DATA

Weight:	285 kg
Grill Rack size:	530 x 764 mm
Capacity:	110 covers
Working temperature:	250 - 350 °C
Av. daily charcoal cons.:	8 - 12 kg
Power:	7,5 kW
Exhaust rate:	3.400 m3/h
Max. smoke flow:	12,5 g/s

STANDARD EQUIPMENT

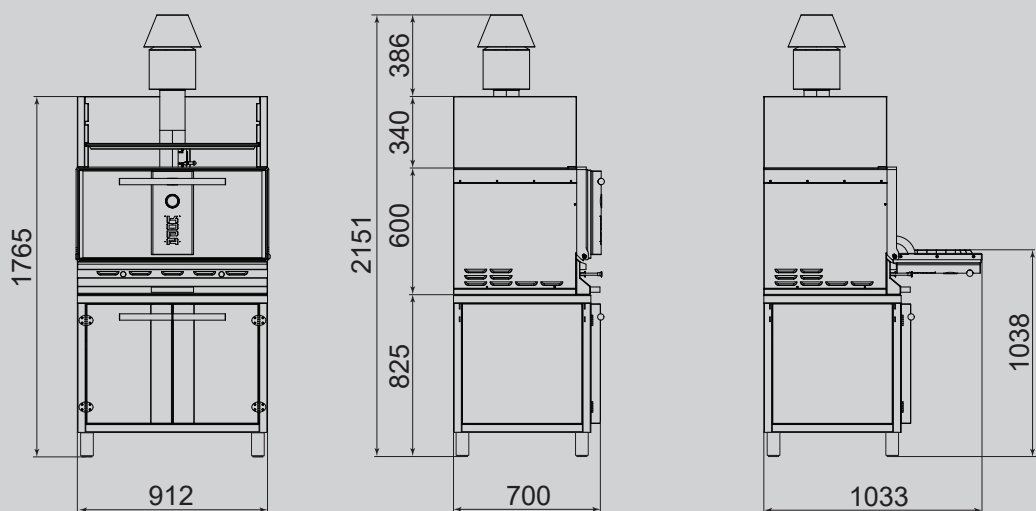
Firebreak
 Firebreak Hood
 Grill Rack x 2
 Tong
 Ash Drawer
 Closed stand with shelf
 Heating rack

OPTIONAL EQUIPMENT

Additional Grill Rack
 Additional Tong
 Brush
 Side table - left and right
 Wheels



TECHNICAL DRAWINGS



Available in these colors:



Red



Black



Brown



Shiny metal and gold*
 *surcharge

TECHNICAL DATA

Weight:	310 kg
Grill Rack size:	530 x 764 mm
Capacity:	110 covers
Working temperature:	250 - 350 °C
Av. daily charcoal cons.:	8 - 12 kg
Power:	7,5 kW
Exhaust rate:	3.400 m3/h
Max. smoke flow:	12,5 g/s

STANDARD EQUIPMENT

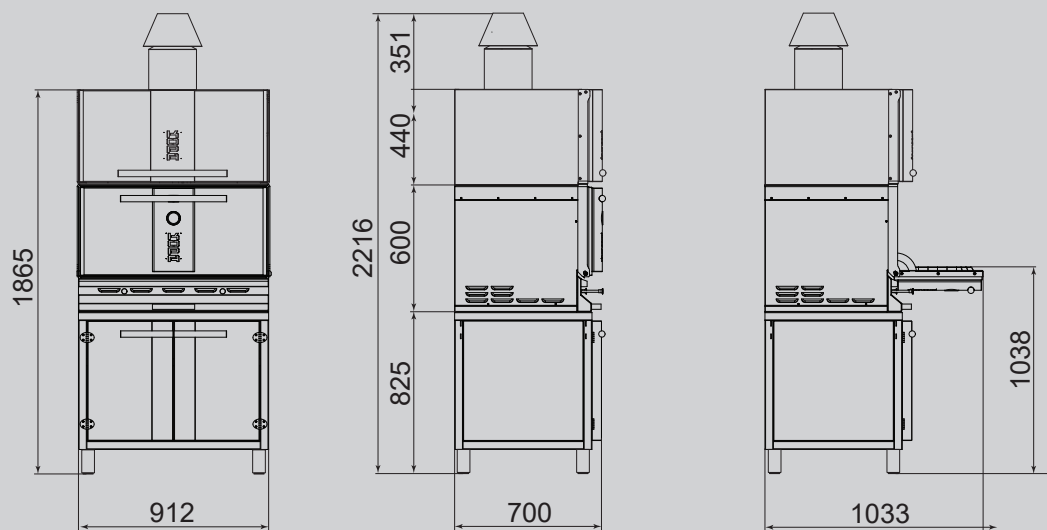
Firebreak
 Firebreak Hood
 Grill Rack x 2
 Tong
 Ash Drawer
 Closed stand with shelf
 Hot cupboard with shelf

OPTIONAL EQUIPMENT

Additional Grill Rack
 Additional Tong
 Brush
 Side table - left and right
 Wheels



TECHNICAL DRAWINGS



Available in these colors:



Red



Black



Brown



Shiny metal and gold*
 *surcharge

TECHNICAL DATA C300

Weight: 26 kg
 Shelf size: 622 x 410 mm
 Capacity: 78 lit
 Working temperature: °C

TECHNICAL DATA C400

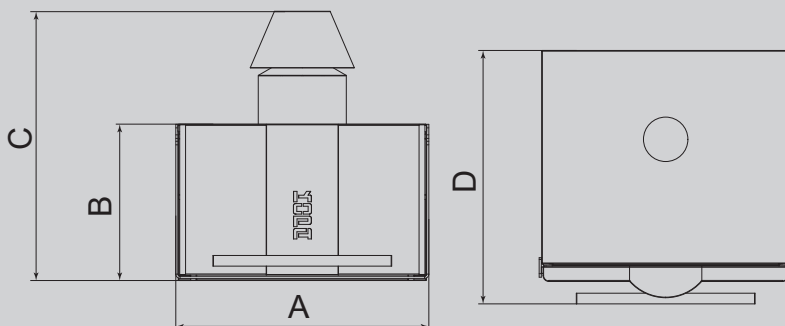
Weight: 34 kg
 Shelf size: 622 x 560 mm
 Capacity: 140 lit
 Working temperature: °C

TECHNICAL DATA C500

Weight: 44 kg
 Shelf size: 822 x 560 mm
 Capacity: 185 lit
 Working temperature: °C



TECHNICAL DRAWINGS



C300

A = 700 mm
 B = 340 mm
 C = 621 mm
 D = 548 mm

C400

A = 700 mm
 B = 440 mm
 C = 791 mm
 D = 715 mm

C500

A = 900 mm
 B = 440 mm
 C = 791 mm
 D = 715 mm

Available in these colors:



Red



Black



Brown



Shiny metal and gold*
 *surcharge

TECHNICAL DATA S300

Weight: 46 kg
 Shelf size: 620 x 415 mm
 Capacity: 252 lit
 Wheel diameter*: 150 mm

TECHNICAL DATA S400

Weight: 58 kg
 Shelf size: 620 x 570 mm
 Capacity: 260 lit
 Wheel diameter*: 150 mm

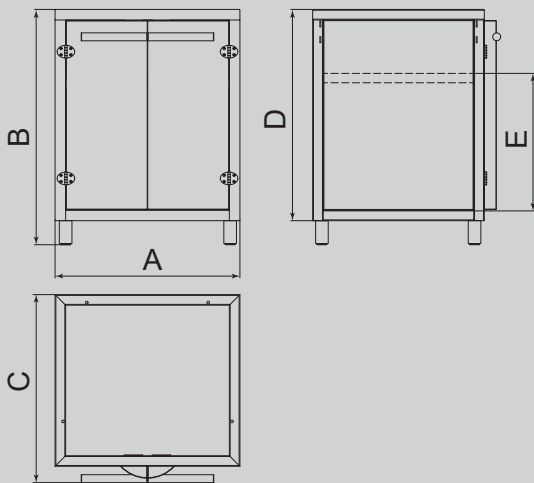
TECHNICAL DATA S500

Weight: 65 kg
 Shelf size: 820 x 570 mm
 Capacity: 334 lit
 Wheel diameter*: 180 mm



*Wheels optional

TECHNICAL DRAWINGS



S300

A = 700 mm
 B = 975 mm
 C = 562 mm
 D = 800 mm
 E = 390 mm

S400

A = 700 mm
 B = 825 mm
 C = 712 mm
 D = 650 mm
 E = 500 mm

S500

A = 900 mm
 B = 825 mm
 C = 712 mm
 D = 650 mm
 E = 500 mm

Available in these colors:



Red



Black



Brown



Shiny metal and gold*
 *surcharge

TECHNICAL DATA T300

Weight: 40 kg
 Shelf size: 620 x 420 mm
 Wheel diameter: 150 mm

TECHNICAL DATA T400

Weight: 45 kg
 Shelf size: 600 x 545 mm
 Wheel diameter: 150 mm

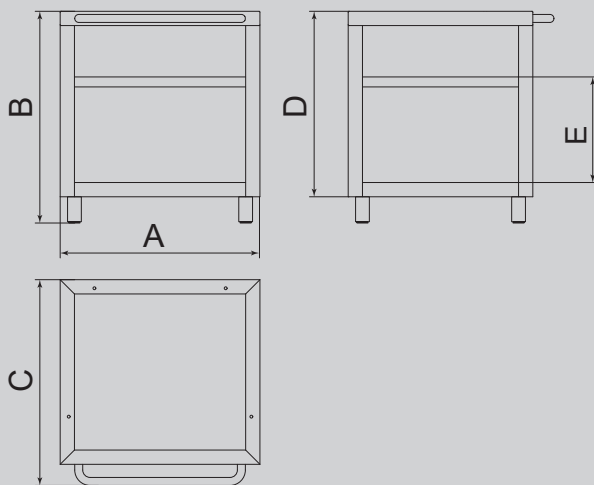
TEHKNICAL DATA T500

Weight: 54 kg
 Shelf size: 800 x 545 mm
 Wheel diameter: 180 mm



*Wheels optional

TECHNICAL DRAWINGS



S300

A = 700 mm
 B = 975 mm
 C = 571 mm
 D = 800 mm
 E = 440 mm

S400

A = 700 mm
 B = 825 mm
 C = 721 mm
 D = 650 mm
 E = 370 mm

S500

A = 900 mm
 B = 825 mm
 C = 721 mm
 D = 650 mm
 E = 370 mm

Available in these colors:



Red



Black



Brown



Shiny metal and gold*
 *surcharge

TECHNICAL DATA OC300

Weight: 13,6 kg
Shelf size: 620 x 410 mm

TECHNICAL DATA OC400

Weight: 16,4 kg
Shelf size: 620 x 560 mm

TECHNICAL DATA OC500

Weight: 19,0 kg
Shelf size: 822 x 560 mm



TECHNICAL DRAWINGS

OC300

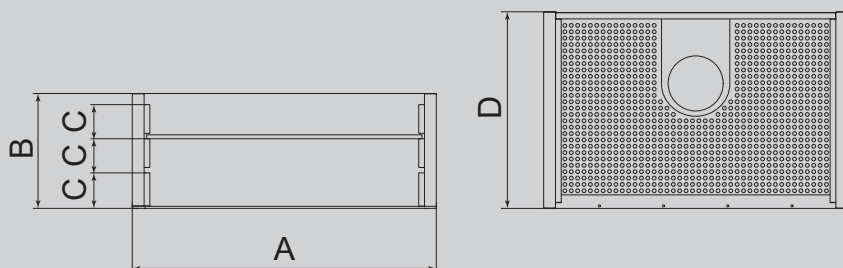
A = 700 mm
B = 340 mm
C = 100 mm
D = 432 mm

OC400

A = 700 mm
B = 340 mm
C = 100 mm
D = 582 mm

OC500

A = 900 mm
B = 340 mm
C = 100 mm
D = 582 mm



Available in these colors:



Stainless steel