

Client \_\_\_\_\_ Quantity \_\_\_\_\_  
Project \_\_\_\_\_ Position \_\_\_\_\_

## Vision F Blast Chiller Counter

**Model:** WTA7F

**Cod:** W67073012001



### Technical data

<b>Top:</b>	Thickness 4 cm. Reinforced in order to place an oven
<b>Max capacity:</b>	11 trays GN1/1, EN60x40 h 20 mm
<b>Gross capacity:</b>	248 lt
<b>Temperature range:</b>	-40°+65°C
<b>Ventilation range:</b>	25% - 100%
<b>Humidity range:</b>	45% - 95% with humidifier
<b>Humidifier:</b>	Including
<b>Refrigerant unit:</b>	Plug-in
<b>Yield +90 / +3:</b>	34 Kg
<b>Yield +90 / -18:</b>	24 Kg
<b>Climate class:</b>	5
<b>Cooling gas:</b>	R452a
<b>Defrost:</b>	Hot gas
<b>Body height:</b>	710 mm
<b>Valve:</b>	Electronic expansion valve
<b>Dimensions (mm):</b>	1400×700×950 mm
<b>Packing dimensions:</b>	1545×900×998 mm
<b>Gross weight:</b>	175 Kg
<b>Voltage:</b>	220-240 V - 50 Hz
<b>Total rate:</b>	1950 W

### Features

<b>Functions:</b>	Blast chilling, shock freezing, thawing, proving and retarder prover, holding, desiccation, chocolat
<b>Standard equipment:</b>	7 slides GN1/1, EN60x40
<b>Control:</b>	7" touch screen display with USB port
<b>Door gasket:</b>	Magnetic, triple chamber and easily replaceable
<b>Core probe:</b>	Needle probe with 1 reading point, quick-release and easily replaceable
<b>Insulation:</b>	60 mm thickness - CFC/HCFC free
<b>Exterior/interior finishing:</b>	Exterior and interior AISI 304 stainless steel. Internal and external in "linen canvas" steel
<b>Inner corners:</b>	Rounded for easy cleaning and ensuring maximum hygiene
<b>Handle:</b>	Stainless steel AISI 304, 2 mm thick
<b>Racks and slides:</b>	Stainless steel AISI 304, quick release
<b>Feets:</b>	AISI 304 stainless steel adjustable h 100/150 mm
<b>Cosmo:</b>	Wi-Fi remote control system

In order to constantly offer the best possible products we reserve the right to make changes on technical specifications without incurring any obligation for equipment previously or subsequently sold.

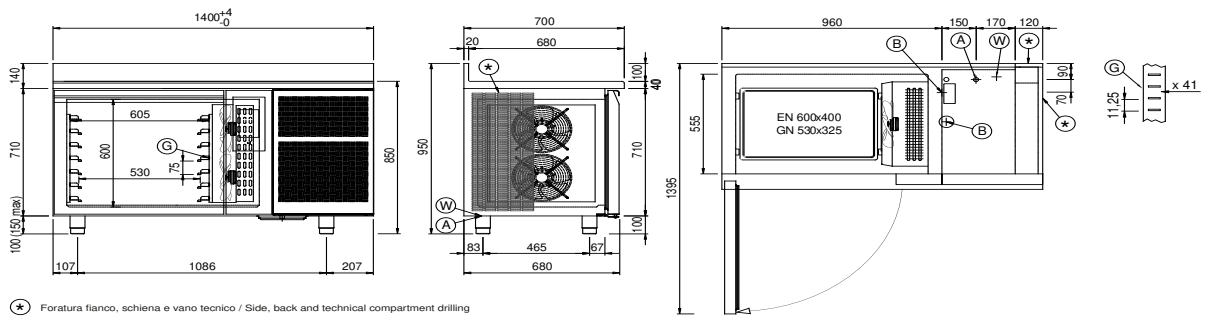
## Accessories and variants

- \_\_\_\_\_ RAL customisable colouring
- \_\_\_\_\_ Sonda al cuore a 3 punti di lettura
- \_\_\_\_\_ Sonda al cuore riscaldata a 1 punto di lettura
- \_\_\_\_\_ Inversione apertura porta
- \_\_\_\_\_ Power supply frequency 60Hz
- \_\_\_\_\_ Other special voltage
- \_\_\_\_\_ Purity C Quell ST 50 filter cartridge
- \_\_\_\_\_ Lowered foot h 55/70 mm
- \_\_\_\_\_ 4 Swivel and brake castors h 128 mm
- \_\_\_\_\_ Stainless steel shelf GN1/1
- \_\_\_\_\_ Plastic coated shelf GN1/1
- \_\_\_\_\_ Stainless steel shelf EN60x40
- \_\_\_\_\_ Plastic coated shelf EN60x40
- \_\_\_\_\_ Pair of type L slides 398 mm GN-EN
- \_\_\_\_\_ Pair of type L slides 398 mm EN
- \_\_\_\_\_ Sanitizing detergent
- \_\_\_\_\_ Touch screen kit for storage device control
- \_\_\_\_\_ Cosmo connection kit

### COSMO - wi-fi control

Cosmo is the wi-fi technology that allows VISION blast chillers to be connected, updated and monitored from smartphones. VISION is also a Cosmo hub and allows remote supervision of the Coldline appliances connected to it. From the CosmoApp you can check the operating conditions of each machine and receive alerts in the event of abnormal operation.

## Technical draw



- A:** Power supply cable outlet
- B:** Condensation water drain
- G:** Racks pitch
- W:** Water mains connection for humidifier - 3/4" female. Unloading not required

In order to constantly offer the best possible products we reserve the right to make changes on technical specifications without incurring any obligation for equipment previously or subsequently sold.