



WD-6

HOOD TYPE DISHWASHER

FEATURES

- Robust and reliable design in stainless steel with components that guarantee a durable and reliable operation for many years
- The machine has an energy saving heat and sound insulating double-skinned hood.
- A good working environment with the unique hood concept
- High levels of hygiene with an automatic cleaning programme and guaranteed rinse temperature by thermal stop system
- Self-drained wash pump
- Large deep tank to protect against foaming
- Easy servicing - the machine is serviced from the front
- Hygiene control – control system with integrated HACCP
- Excellent wash results – with selfdraining washing arms
- Powerful washing pressure with anti-blocking nozzles
- Individual adjustable wash- and rinse times as well as temperatures for each programme
- Inbuilt dosing pump for fine dosage of rinse aid

OPTIONS

- Automatic hood
- Autostart for automatic hood
- 230V/1/50Hz
- 230V/3/50Hz
- Marine version
- Detergent pump for liquid detergent
- Panel on left side
- Lockable cabinet for chemicals (not in comb. with break tank or panel on left side)
- Booster heater for cold water connection.
- Drain pump
- Break tank with booster pump (to be used when no external resuction protection is mounted)
- Booster pump connected with WD-PRM6 equipped with automatic hood (In combination with break tank)
- ECO-FLOW condensing unit with heat recovery by the exhausted steam. (cold water connection is required)
- Heat exchanger with heat recovery by the drain water. Not in combination with PRM. (cold water connection is required)
- WEB Tool - For external HACCP documentation



EXTRA EQUIPMENT

- Steam hood with suction connection
- Shelf for chemical storage
- Sideboard (560 x 560 mm)

TECHNICAL DATA	WD-6
Wash pump (kW)	0.9
Booster heater (kW)	9/12*
Heater tank (kW)	1.8
Tank volume (litres)	50
Weight, machine in operation (kg)	160
Degree of protection (IP)	45

* 12 kW booster heater is optional.

CAPACITY AND OPERATION DATA	WD-6
Total time/wash program 1 (min)	1.2**
Total time/wash program 2 (min)	1.7**
Total time/wash program 3 (min)	3.2**
Capacity, max (baskets/h)	50
Water consumption rinse/program (litres)	2.5-4***
Energy consumption (kWh of connected power)	70-90%
Sound level* (dB(A))	60

* Measured 1 metre from the machine.

** Factory setting. The wash time is adjustable.

*** Applies under ideal conditions. The water consumption depends on local conditions. An exact adjustment is made during installation.

CONNECTION, MACHINE	WD-6
Total connected power (kW)	9.9/12.9*
Main fuse 400V 3N~ (A)**	16/25*
Max connection area 400V 3N~(L1-L3, N, PE) Cu (mm2)***	2.5

* 12 kW booster heater is optional.

** Other voltages on request.

*** Cabel 2.5m H07RN-F included.

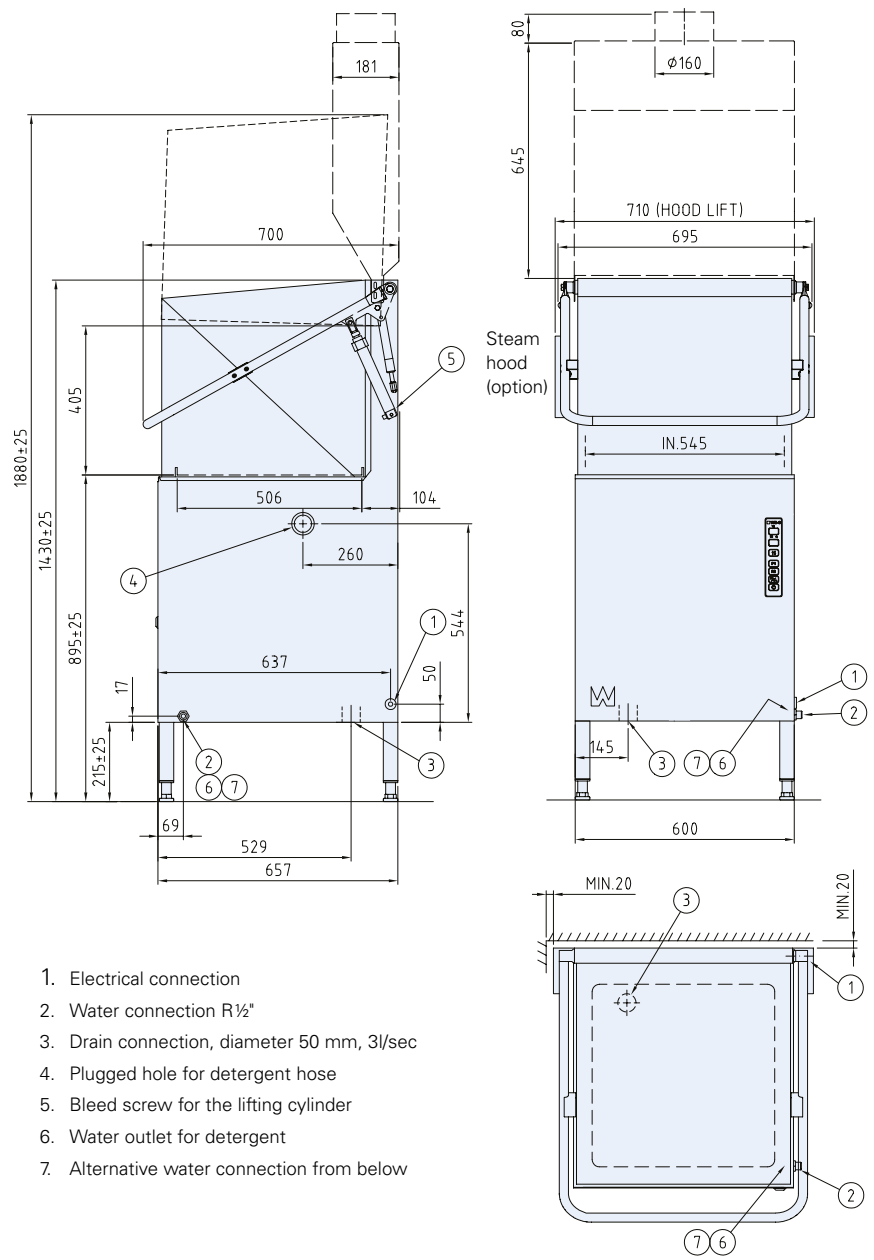
Wexiödisk

CONNECTION WATER, DRAIN AND VENTILATION	WD-6
Water quality, hardness (°dH)	2-7
Hot water connection 55-70°C (external thread)	R 1/2"
Cold water connection 5 - 12 °C* (external thread)	R 1/2"
Drain connection, PP pipe (ø mm)	50
Water capacity, pressure (kPa)	180**
Water capacity, flow (litres/min)	18
Water capacity hood lift, pressure (kPa)	180**
Floor drain, capacity (litres/sec)	3
Heat load to the room (total, sensible, latent) (kW)	2.3 / 1.7 / 0.6

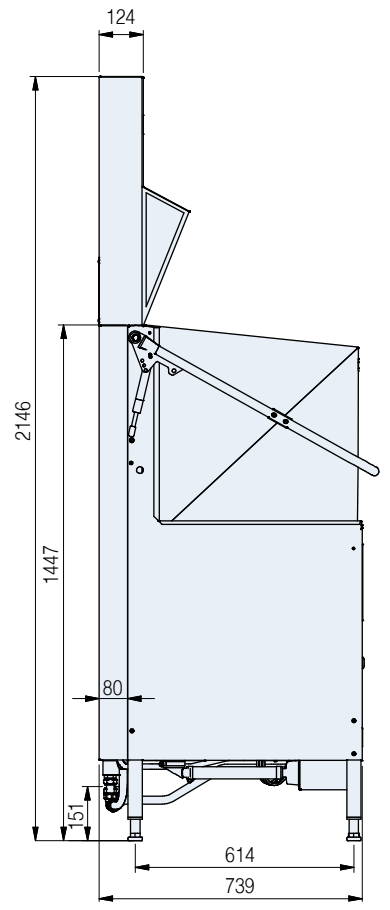
* If colder water than 55° C a 12 kW booster heater is recommended.
 ** If pressure / flow is lower the machine should be equipped with a break tank.

SIZE AND WEIGHT FOR TRANSPORTATION	WD-6
Size LxWxH (mm) *	765x710x1560
Weight (kg) *	115

* Packaging included.



WD-6 with **ECO-FLOW** condensing unit and heat exchanger



1. Electrical connection
2. Water connection R 1/2"
3. Drain connection, diameter 50 mm, 3l/sec
4. Plugged hole for detergent hose
5. Bleed screw for the lifting cylinder
6. Water outlet for detergent
7. Alternative water connection from below

