



SALAMANDERS

## SAE541



### SALAMANDER ELECTRIC

#### TECHNICAL DATA:

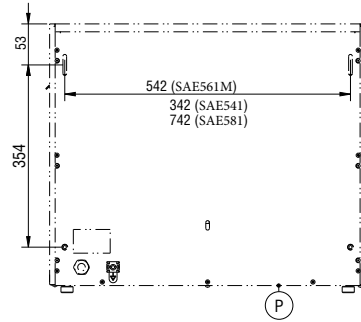
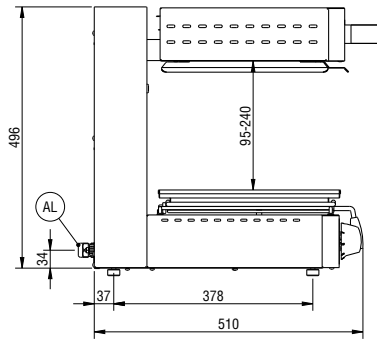
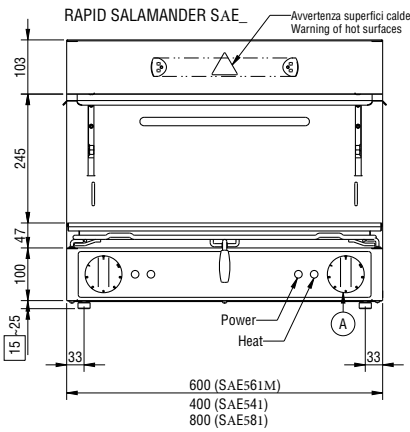
External dimensions - WxDxH (cm)	40x51x50
Heat zones	2
Power (kW)	2

#### ADDITIONAL TECHNICAL DATA:

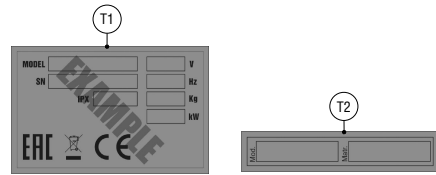
Supply (N)	230V 1 50/60Hz
Weight (kg)	51
Volume (m3)	0.33

Made of stainless steel. Movable upper plate, sliding closer or further to the cooking food. Possibility to heat up only half of the surface. Possibility to hang the appliance on the wall by means of special brackets (to be requested). Incoloy armoured heating elements. Tilting heating elements for easy cleaning under the moving deck. Stainless steel drip trays and chromium-plated steel grids equipped with heat resistant handles, both removable and equipped with a safety stop.

Thermal insulation. Aluminium insulated handle prevents users burning. User friendly display, intuitive and functional.



Schema di foratura parete in calcestruzzo per fissaggio staffe  
Diagram for drilling cement walls for the fastening of brackets  
Schema für Betonwandbohrungen zur Befestigung der Wandhalterungen  
Schéma de perçage de la paroi en béton pour fixer les étriers  
Esquema de perforación de la pared de hormigón para fijación soportes



AL Entrata cavo elettrico | Power supply cable inlet | Netzkabeingang | Entree cable électrique | Entrada cable eléctrico.

Data stampa   Print date	Foglio   Sheet	Formato   Format	Scala   Scale	Modello   Models	Codice   Code
14.02.18	1/1	A3	0.150	SAE541   SAE561M   SAE581	5415.693.01