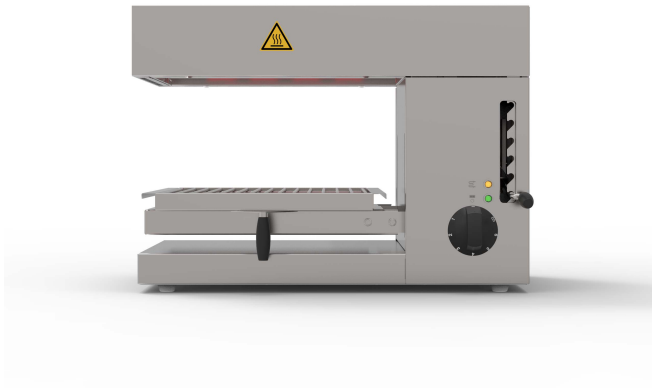




SALAMANDERS

SAE641

SALAMANDER ELECTRIC



TECHNICAL DATA:

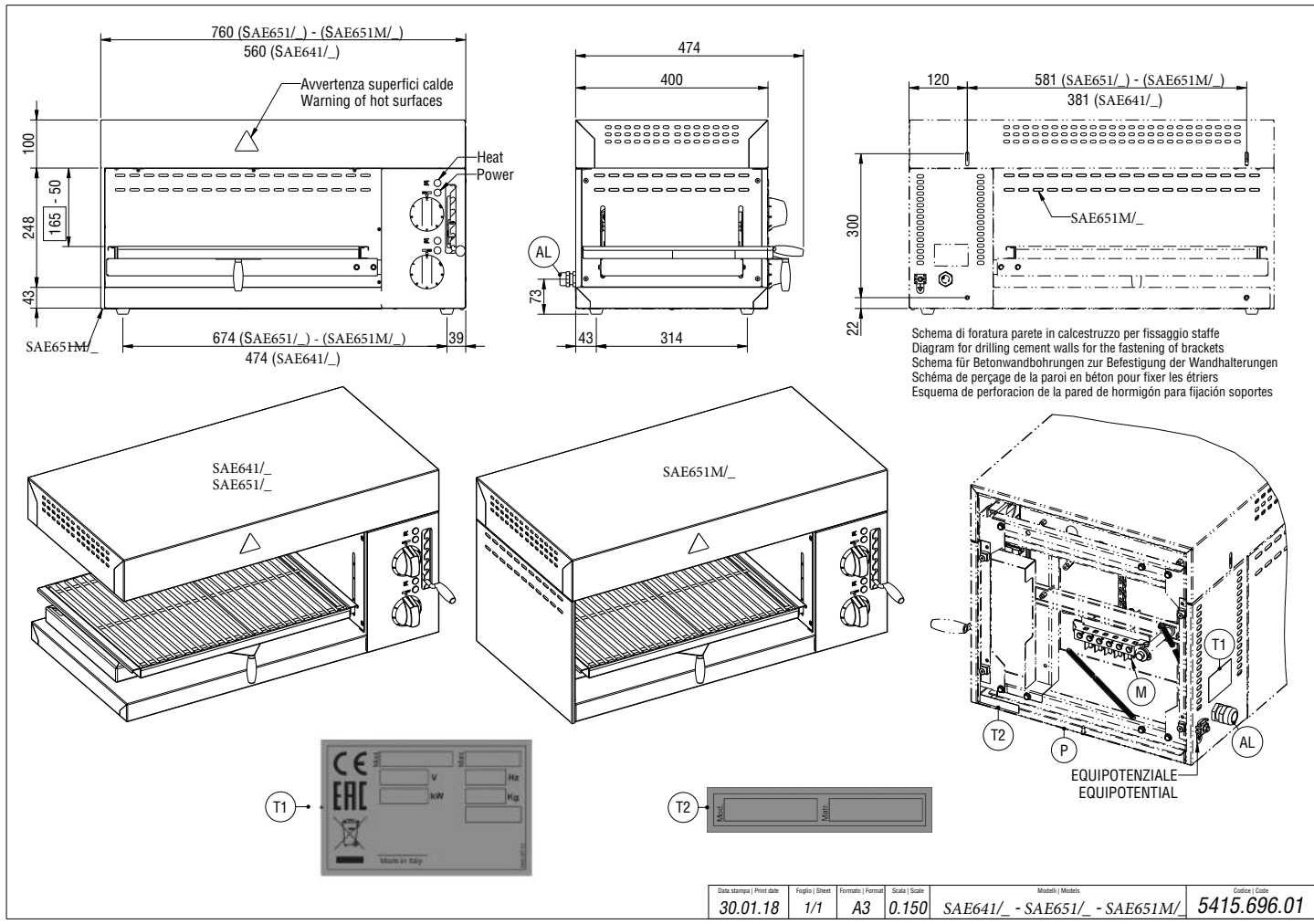
External dimensions - WxDxH (cm)	56x40x40
Heat zones	2
Power (kW)	2

ADDITIONAL TECHNICAL DATA:

Supply (N)	230V 1 50/60Hz
Weight (kg)	42
Volume (m3)	0.4

Made of stainless steel. Movable upper plate, sliding closer or further to the cooking food. Possibility to heat up only half of the surface. Possibility to hang the appliance on the wall by means of special brackets (to be requested). Incoloy armoured heating elements. Tilting heating elements for easy cleaning under the moving deck. Stainless steel drip trays and chromium-plated steel grids equipped with heat resistant handles, both removable and equipped with a safety stop.

Thermal insulation. Aluminium insulated handle prevents users burning. User friendly display, intuitive and functional.



Data stampa / Print date	Foglio / Sheet	Formato / Format	Scala / Scale	Modello / Models	Ordine / Code
30.01.18	1/1	A3	0.150	SAE641/_ - SAE651/_ - SAE651M/_	5415.696.01