



SALAMANDERS

SAG660



SALAMANDER GAS

TECHNICAL DATA:

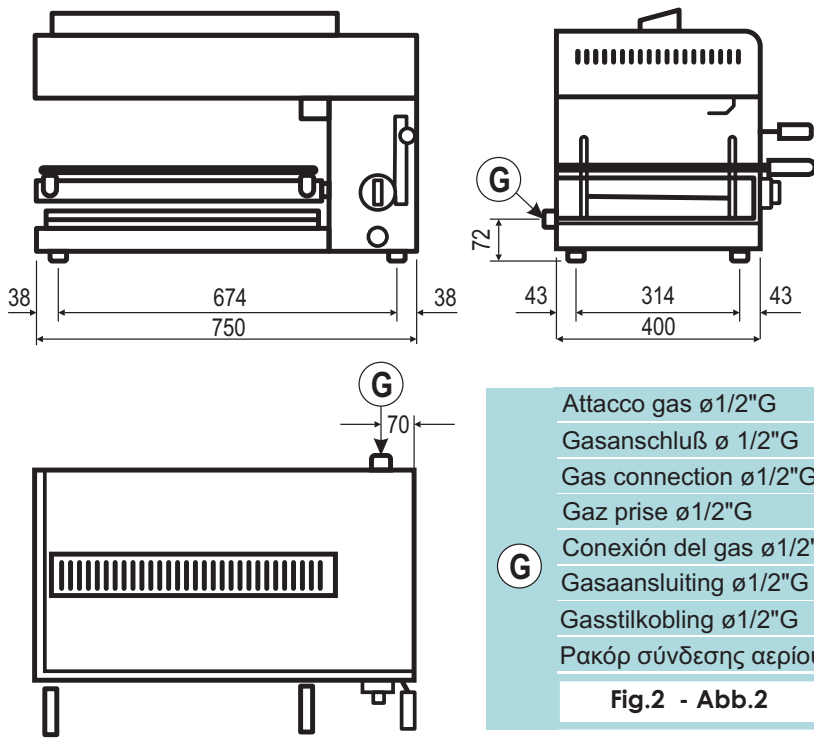
External dimensions - WxDxH (cm)	75x40x35
Heat zones	1
Power (kW)	5,8

ADDITIONAL TECHNICAL DATA:

Weight (kg)	23
Volume (m3)	0,25

Made of stainless steel. Movable upper plate, sliding closer or further to the cooking food. Possibility to heat up only half of the surface. Possibility to hang the appliance on the wall by means of special brackets (to be requested). Incoloy armoured heating elements. Tilting heating elements for easy cleaning under the moving deck. Stainless steel drip trays and chromium-plated steel grids equipped with heat resistant handles, both removable and equipped with a safety stop.

Thermal insulation. Aluminium insulated handle prevents users burning. User friendly display, intuitive and functional.

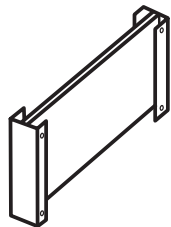


Schema di installazione
 Installationsdiagramm
 Installation diagram
 Schema d'installazione
 Esquema de instalación
 Installatieschema
 Istalleringsskjema
 Σχήμα τοποθέτησης

Fig.1 - Abb.1

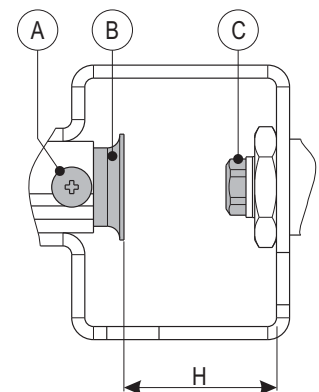
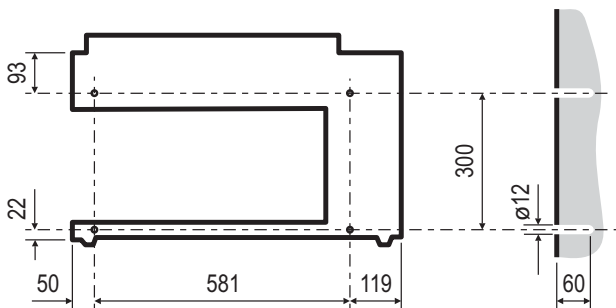
Attacco gas $\varnothing 1/2''G$
 Gasanschluß $\varnothing 1/2''G$
 Gas connection $\varnothing 1/2''G$
 Gaz prise $\varnothing 1/2''G$
 Conexión del gas $\varnothing 1/2''G$
 Gasaansluiting $\varnothing 1/2''G$
 Gasstillkobling $\varnothing 1/2''G$
 Ρακόρ σύνδεσης αερίου $\varnothing 1/2''G$

Fig.2 - Abb.2



Supporto inox applicabile a parete
 Wandhalterung aus rostfreiem Stahl
 Stainless steel wall bracket
 Console inox pour accrochage au mur
 Soporte de acero inoxidable aplicable en la pared
 Wandinoxsteunblok
 Støtte i rustfritt stål for festing på vegg
 Ανοξείδωτο στήριγμα για επίτοιχη τοποθέτηση

Fig.3 - Abb.3



Schema di foratura parete in calcestruzzo per fissaggio staffe
 Schema für Betonwandbohrungen zur Befestigung der Wandhalterungen
 Diagram for drilling cement walls for the fastening of brackets
 Schéma de perçage de la parois en béton pour fixer les etriers
 Esquema de perforación de la pared de hormigón
 Schema voor doorboren van een mortelwand voor het vastzetten van stijgbeugels
 Skjema for boring i betongvegger for festing av boltene
 Σχήμα τρυπήματος τοίχου για στερέωση στηριγμάτων

Fig.4 - Abb.4

Ugello
 Düse
 Injector
 Injecteur
 Injector
 Gaspit
 Dyse
 ΜΠΕΚ