

Client _____ Quantity _____
Project _____ Position _____

Pizza Base EN60x40 counter 1 door

Model: TZS09/1M-710 **Cod:** T40100000201



Technical data

Top:	Without top
Gross capacity:	171 lt
Temperature range:	-2°+8°C
Refrigerant unit:	Plug-in
Energetic class:	B
Energy efficiency index:	30,2
Annual consumption:	639 kW/h annum
24h consumption:	1,751 kW/h/24h
Climate class:	5
Cooling gas:	R290
Defrost:	Hot gas
Body height:	710 mm
Valve:	Supplied standard with solenoid
Dimensions (mm):	895×780×810 mm
Packing dimensions:	990×900×998 mm
Gross weight:	105 Kg
Voltage:	220-240 V - 50 Hz
Total rate:	250 W
Absorbed Current:	1,15 A
Cooling capacity:	406 W*
*:	Evap. -10°C Cond. +55°C

Features

Standard equipment:	4 slides EN60x40
Control:	Electronic, display flush with the panel
Doors:	1 door, self-closing, reversible with 105° stop
Door gasket:	Magnetic, triple chamber and easily replaceable
Insulation:	60 mm thickness - CFC/HCFC free
Exterior/interior finishing:	Exterior and interior AISI 304 stainless steel.
Inner corners:	Rounded for easy cleaning and ensuring maximum hygiene
Handle:	Stainless steel AISI 304, 2 mm thick
Racks and slides:	Stainless steel AISI 304
Feets:	AISI 304 stainless steel adjustable h 100/150 mm
Cosmo:	Predisposed for Cosmo Hub connection

Accessories and variants

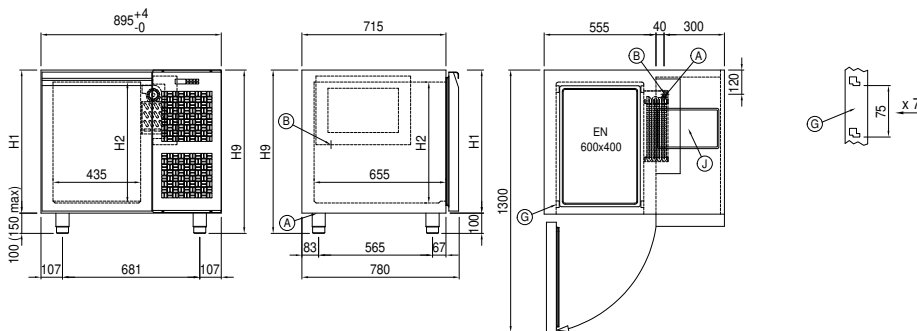
- Drawers 1/2
- Drawers 1/3
- Drawers 1/3 + 2/3
- Lock with key for drawer 1/2
- Lock with key for drawer 1/3
- Lock with key for drawer 1/3 + 2/3
- Plug-in water unit
- Power supply frequency 60Hz
- Other special voltage
- 7 Neutral drawers h 710 mm
- 3+1 Neutral drawers h 710 mm
- 1+1 Neutral drawers h 710 mm
- Adjustable feet h 145/195 mm
- 4 Swivel and brake castors h 128 mm
- Frame fitted with telescopic EN60x40 slides
- EN60x40 Pizza container h 60 mm
- Aluminium coated backing-pan EN60x40 h 20 mm
- Pair of type L slides 605 mm

- Serial interface, RS485 cable
- Cosmo connection kit
- IP44 schuko socket with cover
- Removable plinth EN 1D h 50 mm
- Removable plinth EN 1D h 100 mm
- Removable plinth EN 1D h 150 mm

COSMO - wi-fi control

Cosmo is the wifi technology that allows Coldline appliances to be connected and monitored from a smartphone. The counter, connected with Cosmo kit or with Cosmo box wifi to a Cosmo hub (MODI, VISION or LEVTRONIC), can be monitored by the CosmoApp to receive alerts in case of abnormal operation.

Technical draw



- A:** Power supply cable outlet
- B:** Condensation water drain
- G:** Racks pitch
- J:** Automatic evaporation of condensing water

In order to constantly offer the best possible products we reserve the right to make changes on technical specifications without incurring any obligation for equipment previously or subsequently sold.