

Client \_\_\_\_\_ Quantity \_\_\_\_\_  
 Project \_\_\_\_\_ Position \_\_\_\_\_

## Pizza Base EN60x40 counter 1 door

**Model:** TZS09/1M-760      **Cod:** T40100000202



### Technical data

<b>Top:</b>	Without top
<b>Gross capacity:</b>	185 lt
<b>Temperature range:</b>	-2°+8°C
<b>Refrigerant unit:</b>	Plug-in
<b>Energetic class:</b>	B
<b>Energy efficiency index:</b>	32,6
<b>Annual consumption:</b>	699 kW/h annum
<b>24h consumption:</b>	1,915 kW/h/24h
<b>Climate class:</b>	5
<b>Cooling gas:</b>	R290
<b>Defrost:</b>	Hot gas
<b>Body height:</b>	760 mm
<b>Valve:</b>	Supplied standard with solenoid
<b>Dimensions (mm):</b>	895×780×860 mm
<b>Packing dimensions:</b>	990×900×998 mm
<b>Gross weight:</b>	108 Kg
<b>Voltage:</b>	220-240 V - 50 Hz
<b>Total rate:</b>	250 W
<b>Absorbed Current:</b>	1,15 A
<b>Cooling capacity:</b>	406 W*
<b>*:</b>	Evap. -10°C Cond. +55°C

### Features

<b>Standard equipment:</b>	4 slides EN60x40
<b>Control:</b>	Electronic, display flush with the panel
<b>Doors:</b>	1 door, self-closing, reversible with 105° stop
<b>Door gasket:</b>	Magnetic, triple chamber and easily replaceable
<b>Insulation:</b>	60 mm thickness - CFC/HCFC free
<b>Exterior/interior finishing:</b>	Exterior and interior AISI 304 stainless steel.
<b>Inner corners:</b>	Rounded for easy cleaning and ensuring maximum hygiene
<b>Handle:</b>	Stainless steel AISI 304, 2 mm thick
<b>Racks and slides:</b>	Stainless steel AISI 304
<b>Feets:</b>	AISI 304 stainless steel adjustable h 100/150 mm
<b>Cosmo:</b>	Predisposed for Cosmo Hub connection

## Accessories and variants

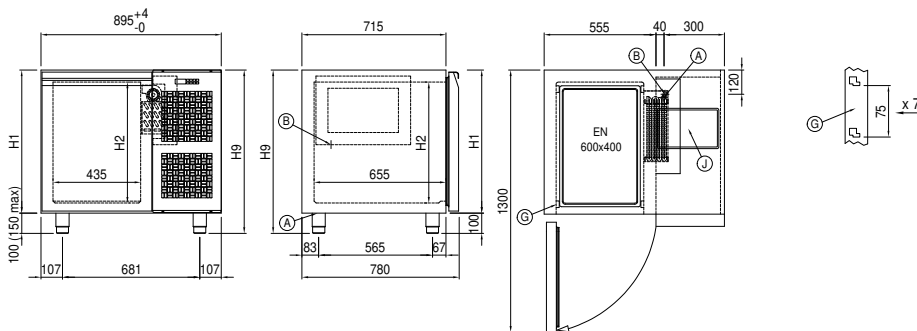
- Drawers 1/2
- Drawers 1/3
- Drawers 1/3 + 2/3
- Lock with key for drawer 1/2
- Lock with key for drawer 1/3
- Lock with key for drawer 1/3 + 2/3
- Plug-in water unit
- Power supply frequency 60Hz
- Other special voltage
- 7 Neutral drawers h 760 mm
- 3+1 Neutral drawers h 760 mm
- 1+1 Neutral drawers h 760 mm
- Adjustable feet h 145/195 mm
- 4 Swivel and brake castors h 128 mm
- Frame fitted with telescopic EN60x40 slides
- EN60x40 Pizza container h 60 mm
- Aluminium coated backing-pan EN60x40 h 20 mm
- Pair of type L slides 605 mm

- Serial interface, RS485 cable
- Cosmo connection kit
- IP44 schuko socket with cover
- Removable plinth EN 1D h 50 mm
- Removable plinth EN 1D h 100 mm
- Removable plinth EN 1D h 150 mm

### COSMO - wi-fi control

Cosmo is the wifi technology that allows Coldline appliances to be connected and monitored from a smartphone. The counter, connected with Cosmo kit or with Cosmo box wifi to a Cosmo hub (MODI, VISION or LEVTRONIC), can be monitored by the CosmoApp to receive alerts in case of abnormal operation.

## Technical draw



- A:** Power supply cable outlet
- B:** Condensation water drain
- G:** Racks pitch
- J:** Automatic evaporation of condensing water

In order to constantly offer the best possible products we reserve the right to make changes on technical specifications without incurring any obligation for equipment previously or subsequently sold.