

Client _____ Quantity _____
Project _____ Position _____

Pizza Base EN60x40 counter 1 door

Model: TZS09/1MR-710 **Cod:** T40110000201



Technical data

Top:	Without top
Gross capacity:	171 lt
Temperature range:	-2°+8°C
Refrigerant unit:	remote
Cooling gas:	R452a
Defrost:	Electric
Body height:	710 mm
Valve:	Supplied standard with solenoid
Dimensions (mm):	685×780×810 mm
Packing dimensions:	990×900×998 mm
Gross weight:	75 Kg
Voltage:	220-240 V - 50-60 Hz
Total rate:	710 W
Absorbed Current:	3,2 A
Cooling capacity:	368 W*

Features

Standard equipment:	4 slides EN60x40
Control:	Electronic, display flush with the panel
Doors:	1 door, self-closing, reversible with 105° stop
Door gasket:	Magnetic, triple chamber and easily replaceable
Insulation:	60 mm thickness - CFC/HCFC free
Exterior/interior finishing:	Exterior and interior AISI 304 stainless steel.
Inner corners:	Rounded for easy cleaning and ensuring maximum hygiene
Handle:	Stainless steel AISI 304, 2 mm thick
Racks and slides:	Stainless steel AISI 304
Feets:	AISI 304 stainless steel adjustable h 100/150 mm
Cosmo:	Predisposed for Cosmo Hub connection

Accessories and variants

Drawers 1/2
Drawers 1/3
Drawers 1/3 + 2/3
Lock with key for drawer 1/2
Lock with key for drawer 1/3
Lock with key for drawer 1/3 + 2/3
Predisposition for connection to CO2 remote control unit
Power supply frequency 60Hz
Remote condensing unit EMT6144GK
7 Neutral drawers h 710 mm
3+1 Neutral drawers h 710 mm
1+1 Neutral drawers h 710 mm
Adjustable feet h 145/195 mm
4 Swivel and brake castors h 128 mm
Frame fitted with telescopic EN60x40 slides
EN60x40 Pizza container h 60 mm
Aluminium coated backing-pan EN60x40 h 20 mm
Pair of type L slides 605 mm

Serial interface, RS485 cable
Cosmo connection kit
Removable plinth EN 1DR h 50 mm
Removable plinth EN 1DR h 100 mm
Removable plinth EN 1DR h 150 mm

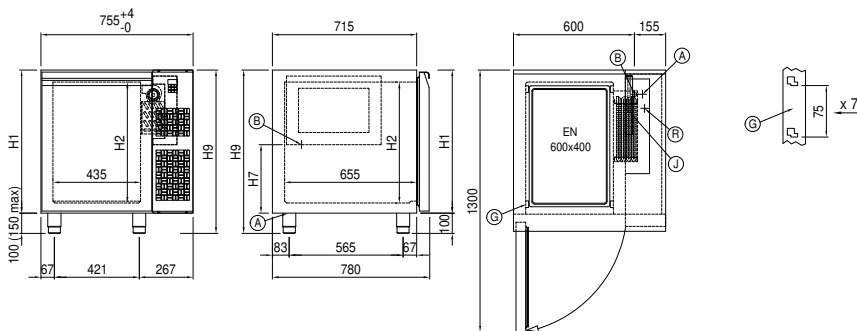
Remote unit technical data

Voltage:	220-240 V - 50 Hz
Cooling gas:	R404-R452
Gross weight:	17 Kg
Dimensions (mm):	450×300×270
Packing dimensions:	470×330×300
Cooling capacity:	Evap. -10°C Cond. +55°C

COSMO - wi-fi control

Cosmo is the wifi technology that allows Coldline appliances to be connected and monitored from a smartphone. The counter, connected with Cosmo kit or with Cosmo box wifi to a Cosmo hub (MODI, VISION or LEVTRONIC), can be monitored by the CosmoApp to receive alerts in case of abnormal operation.

Technical draw



- | | | |
|---|------------------------------------|-----------------------|
| A: Power supply cable outlet | B: Condensation water drain | G: Racks pitch |
| J: Automatic evaporation of condensing water | R: Gas output pipes | |

In order to constantly offer the best possible products we reserve the right to make changes on technical specifications without incurring any obligation for equipment previously or subsequently sold.