



**SNK80-B**

**SNACK DISPLAY  
CABINET  
LOW DECK**

**ABACO**





**SNK80-B**

# Snack display cabinet with low deck

**H 117-135**

**P 80**

**L 100-125-150-175-200**



Tempered glass with extra clear finish with Led lighting. Available in two heights H117 and H135

Tilt front glass for ease of cleaning

Glass shelves (with LED lighting option)



---

**TN RS** - Static

---

**TN RS** - Static with refrigerated storage

---

**TN RS PC** - Static and hot plate convertible

---

**TN RS PC** - Static and hot plate convertible with refrigerated storage

---

**TN RV** - Ventilated

---

**TN RV** - Ventilated with refrigerated storage

---

---

**TN RV PC** - Ventilated and hot plate convertible

---

**TN RV PC** - Ventilated and hot plate convertible and refrigerated storage

---

**TN RV CH** - Ventilated chocolate display

---

**TN RV CH** - Ventilated chocolate display with refrigerated storage

---

**TC S** - Dry heat

---

**TC BM** - Bainmarie

---



Closing system with slides in transparent methacrylate with easy sliding system. Stainless steel worktop.



Steel cabinet base with adjustable feet. Wheels optional.

SNK80-B

# Snack display cabinet with low deck corner unit

H 117-135

P 80

L TDX150-TSX150

Glass shelves  
(with LED lighting option)

Tempered glass with extra clear finish with Led lighting. Available in two heights H117 and H135.

Tilt front glass for ease of cleaning



---

**TN RV** - Ventilated

**TN RV PC** - Ventilata and hot plate convertible

**TC S** - Dry heat

---

---

**TN RS** - Static

**TN RS PC** - Static and hot plate convertible

**TN RV CH** - Ventilated chocolate display

---



R290

Closing system with slides in transparent methacrylate with easy sliding system. Stainless steel worktop.



Steel cabinet base with adjustable feet. Wheels optional.

SNK80-B

**SNK80-B**

# Snack display cabinet with low deck Dry heat

**H 117-135**

**P 80**

L 100-125-150-175-200

TDX150 - TSX150

Top in Laminam™  
ceramic material  
dark grey finish



The display deck accommodates a hot plate made of scratch-resistant layered ceramic with heated glass, which is easily removable for cleaning thanks to the stainless steel handle.

The operating temperature on the hot plate is adjustable by means of an electronic control unit up to a maximum of 80°C.

**SNK80-B**

# Snack display cabinet with low deck Bain-marie

**H 117-135**

**P 80**

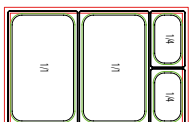
**L 100-125-150**

Manual water loading/unloading  
with overflow safety system

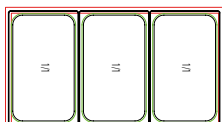
Anti-fog  
frontal vents



L100



L125



L150



SNK80-B



# Glass structure configurations

Tilt front glass



**Glass structure  
with tilt front,  
LED lighting  
and sliding doors**

**H 117**



5.700 K  
4.000 K

Tilt front glass

Intermediate shelves  
with lighting and heating option



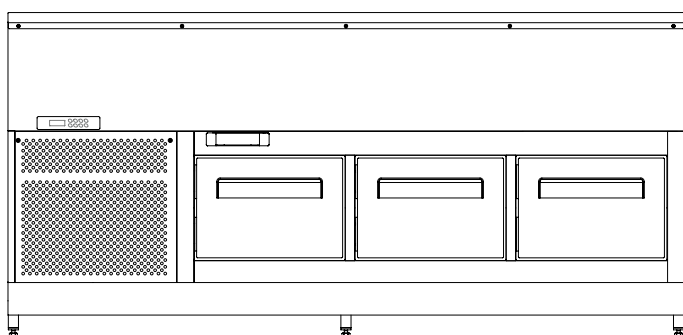
**Glass structure  
with tilt front,  
LED lighting  
and sliding doors**

**H 135**

💡 5.700 K  
4.000 K

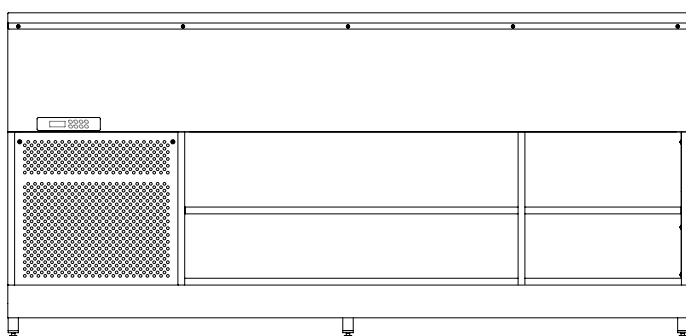
SNK80-B

# Operator side



## TN refrigerated storage

Module length	UCB (plug-in)	UCR (remote)
100	-	-
125	-	2-door
150	2-door	2-door
175	2-door	3-door
200	2 or 3 door	2 or 3 door
TDX	-	-
TSX	-	-



## Open storage

Open storage with height adjustable shelves.



# Customization



Refrigerated well  
with stainless steel  
AISI 304 finish.



Display deck, front profile  
and side profiles can be  
customized.

Black RAL 9004  
RAL choice

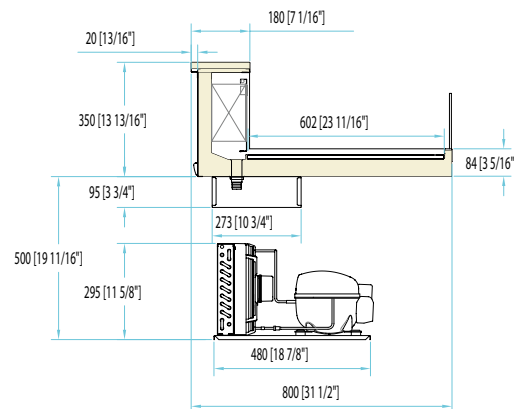
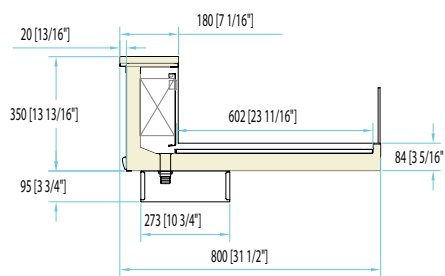
# Cross sections TN RS TN RS PC

**H 117-135**

**P 80**

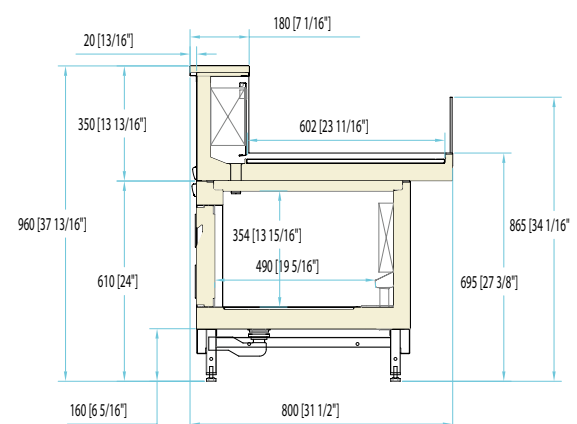
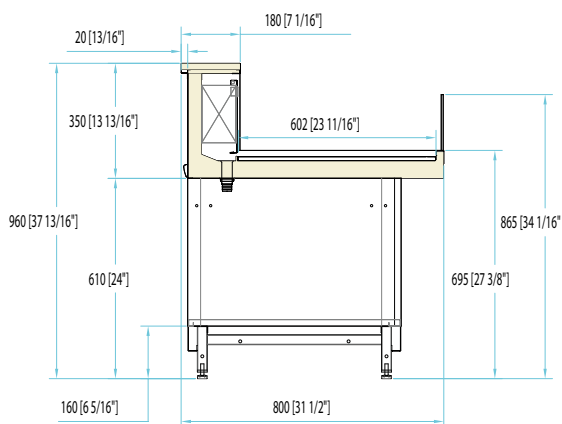
**L 100-125-150-175-200**

**TDX150-TSX150**



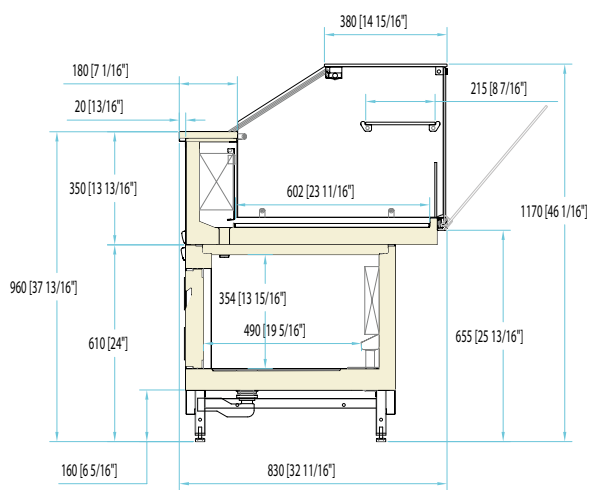
Well

Well with factory-connected condensing unit

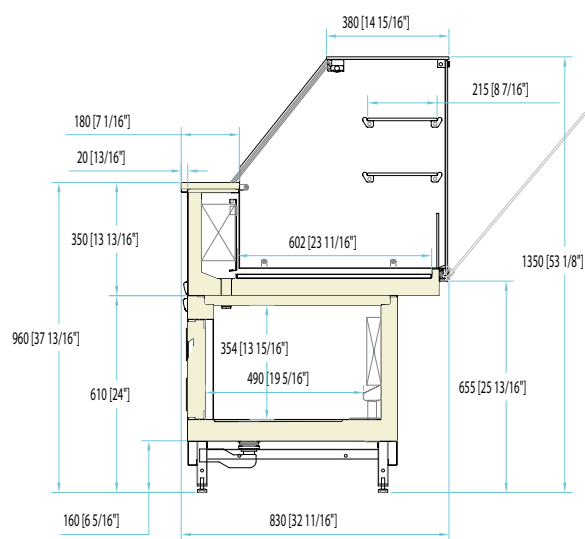


Well on neutral counter base

Well on refrigerated storage counter base



H117 Display cabinet with lighted tilt glass structure and refrigerated storage



H135 Display cabinet with lighted tilt glass structure and refrigerated storage



# Cross sections

## TN RV

## TN RV PC

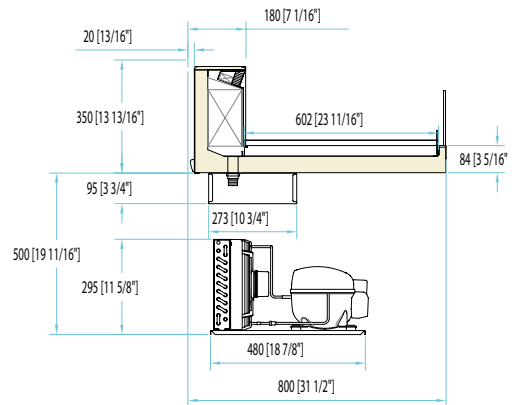
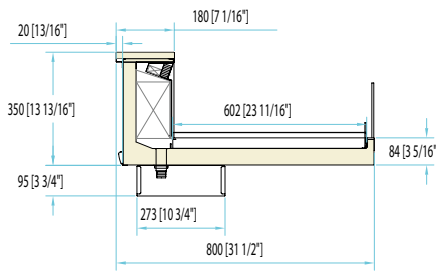
## TN RV CH

# H 117-135

## P 80

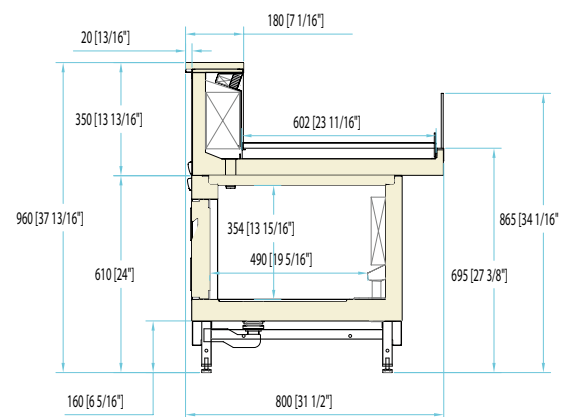
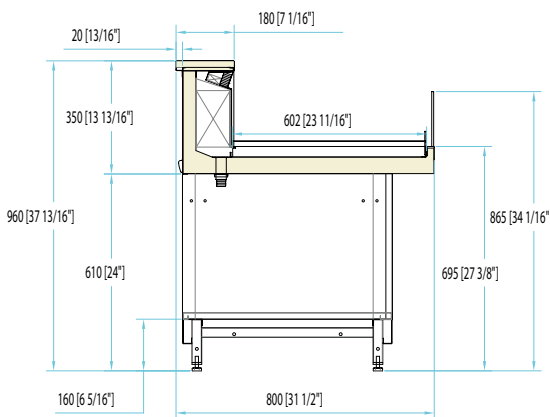
### L 100-125-150-175-200

### TDX150-TSX150



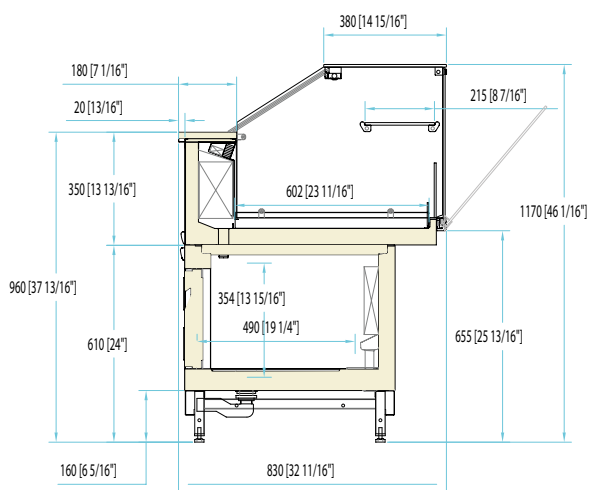
Well

Well with factory-connected condensing unit

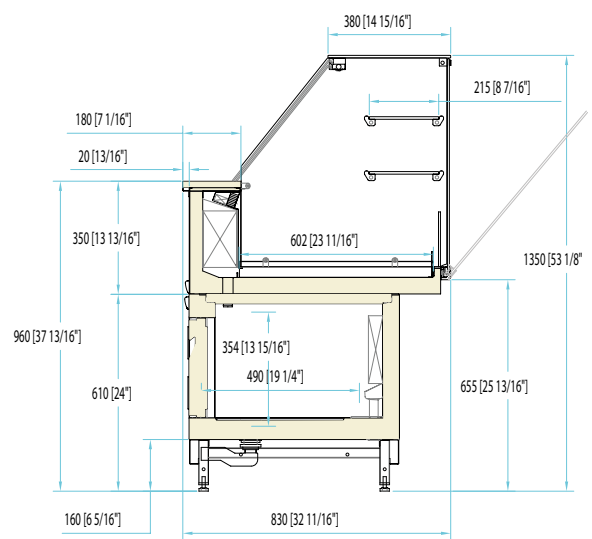


Well on neutral counter base

Well on refrigerated storage counter base

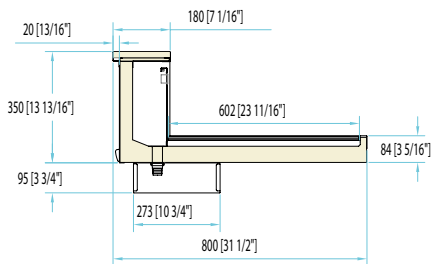


H117 Display cabinet with lighted tilt glass structure and refrigerated storage



H135 Display cabinet with lighted tilt glass structure and refrigerated storage

# Cross sections TC S



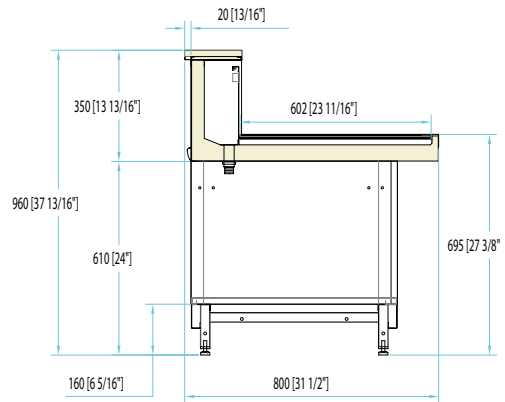
Well

# H 117-135

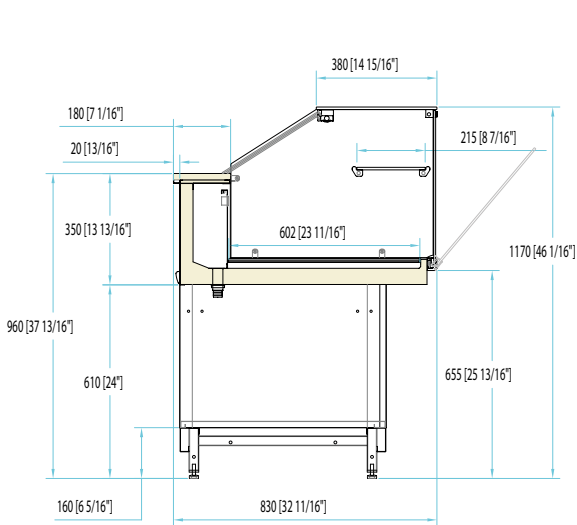
P 80

L 100-125-150-175-200

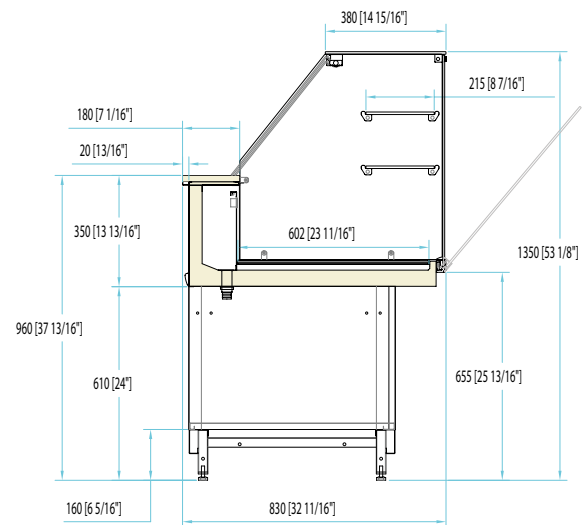
TDX150-TSX150



Well on neutral counter base



H117 Display cabinet with lighted tilt glass structure and refrigerated storage



H135 Display cabinet with lighted tilt glass structure and refrigerated storage

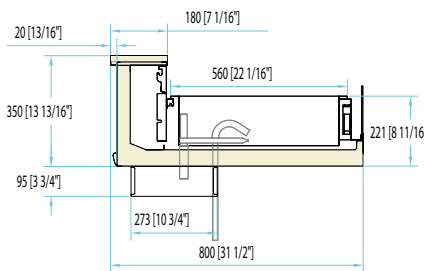


# Cross sections TC BM

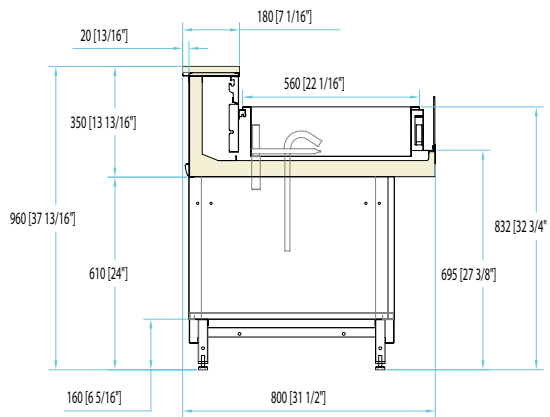
H 117-135

P 80

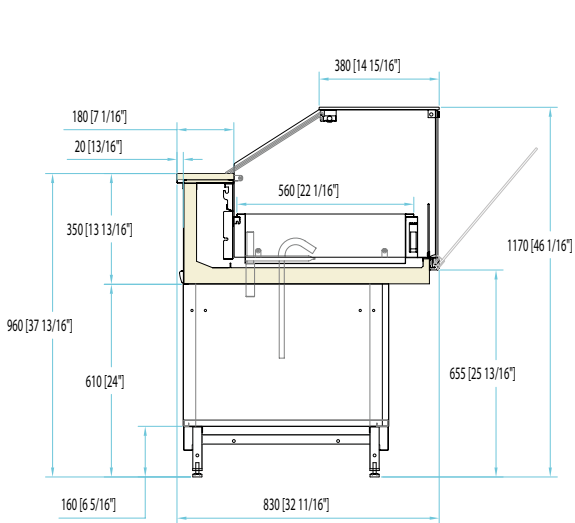
L 100-125-150



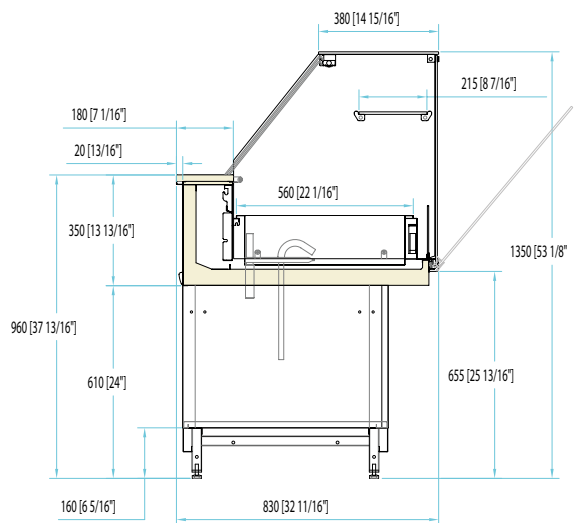
Well



Well on neutral counter base



H117 Display cabinet with lighted tilt glass structure and refrigerated storage




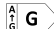
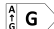
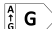
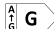
H135 Display cabinet with lighted tilt glass structure and refrigerated storage

# Technical data

## UCB plug-in condensing unit

MODULE LENGTH	100	125	150	175	200
Climate class	3				
Climate conditions	25°C/60% UR				
Ventilated refrigeration operating temperature	+4/+8 °C				
Chocolate display operating temperature	+14/+16 °C				
Hot plate operating temperature	65 °C				
Compressors [q.ty/ type]	1/ hermetic				
Defrost	compressor off-cycle				
Power Supply [V/hz]	230/50				
Refrigerant	R290				

### VENTILATED

Heat extraction rate (Ørun) [W@-10]	721	721	934	934	1099
Rated absorbed power [W/A]	411/2,9	418/3	498/3,6	504/3,65	567/4,1
Absorbed power during defrost [W/A]	56/0,4	63/0,45	78/0,56	84/0,61	97/0,7
Energy class					

### STATIC

Heat extraction rate (Ørun) [W@-10]	721	721	721	934	1099
Rated absorbed power [W/A]	296/2,14	302/2,2	347/2,5	353/2,56	408/2,9
Absorbed power during defrost [W/A]	43/0,3	49/0,35	57/0,41	63/0,46	70/0,5

### CHOCOLATE DISPLAY

Heat extraction rate (Ørun) [W@-10]	721	721	721	934	934w
Rated absorbed power [W/A]	595/2,69	502/2,72	597/3,2	603/3,3	788/4,3
Absorbed power during defrost [W/A]	242/1,32	249/1,35	307/1,66	313/1,7	450/2,44

### DRY HEAT

Rated absorbed power [W/A]	740/3,6	930/4,5	1120/5,4	1320/6,4	1500/7,2
----------------------------	---------	---------	----------	----------	----------

## VENTILATED REFRIGERATION - UCR remote condensing unit

MODULE LENGTH	100	125	150	175	200
Refrigerants	R404A/ R452A				
Climate class	4				
Climate conditions	30°C/55% UR				
Defrost	compressor off-cycle				
Power Supply [V/hz]	230/50				
Absorbed power [W/A]	56	63	78	84	97
Absorbed power of remote condensing unit [W]	486	486	760	760	660
Condensing unit weight [kg]	14,8	14,8	20	20	25,5
Condensing unit dimensions LxDxH[mm]	480x330x295	480x330x295	500x330x297	500x330x297	490x385x295
Refrigerant piping diameter: Liquid/Suction 0-15mt	12/8	12/8	12/8	12/8	12/8
Refrigerant piping diameter : Liquid/Suction 16-30mt	14/8	14/8	14/8	14/8	14/8

### STATIC REFRIGERATION - UCR remote condensing unit

MODULE LENGTH	100	125	150	175	200
Refrigerants	R404A/ R452A				
Climate class	4				
Climate conditions	30°C/55% UR				
Defrost	compressor off-cycle				
Power Supply [V/hz]	230/50				
Absorbed power [W/A]	43	49	57	63	70
Absorbed power of remote condensing unit [W]	486	486	486	760	660
Condensing unit weight [kg]	14,8	14,8	14,8	20	20
Condensing unit dimensions LxDxH[mm]	480x330x295	480x330x295	480x330x295	500x330x297	500x330x297
Refrigerant piping diameter: Liquid/Suction 0-15mt	12/8	12/8	12/8	12/8	12/8
Refrigerant piping diameter : Liquid/Suction 16-30mt	14/8	14/8	14/8	14/8	14/8

### CHOCOLATE DISPLAY - UCR remote condensing unit

MODULE LENGTH	100	125	150	175	200
Refrigerants	R404A/ R452A				
Climate class	4				
Climate conditions	30°C/55% UR				
Defrost	compressor off-cycle				
Power Supply [V/hz]	230/50				
Absorbed power [W/A]	243	249	307	313	450
Absorbed power of remote condensing unit [W]	486	486	486	760	760
Condensing unit weight [kg]	14,8	14,8	14,8	20	20
Condensing unit dimensions LxDxH[mm]	480x330x295	480x330x295	480x330x295	500x330x297	500x330x297
Refrigerant piping diameter: Liquid/Suction 0-15mt	12/8	12/8	12/8	12/8	12/8
Refrigerant piping diameter : Liquid/Suction 16-30mt	14/8	14/8	14/8	14/8	14/8