

Client _____ Quantity _____
Project _____ Position _____

Modi Up Roll-in Blast Chiller

Model: W20KU

Cod: W12203000001



Technical data

Gross capacity:	977 lt
Temperature range:	-40°+10°C
Ventilation range:	25% - 100%
Humidifier:	Not available
Refrigerant unit:	Plug-in
Yield +90 / +3:	88 Kg
Yield +90 / -18:	62 Kg
Climate class:	5
Cooling gas:	R452a
Defrost:	Forced air
Valve:	Electronic expansion valve
Dimensions (mm):	810×1015×2240 mm
Packing dimensions:	905×1130×2365 mm
Gross weight:	240 Kg
Voltage:	400-415 V - 50-60 Hz
Total rate:	6450 W
Absorbed Current:	12,45 A
Cooling capacity:	7751 W*
*:	Evap. -10°C Cond. +45°C

Features

Functions:	Blast chilling, shock freezing, continuous cycle
Control:	4,3" touch screen display with USB port
Doors:	Cushioned, with anti-odor system
Door gasket:	Magnetic, triple chamber and easily replaceable
Core probe:	Needle probe with 1 reading point, quick-release and easily replaceable
Insulation:	75 mm thickness - CFC/HCFC free
Exterior/interior finishing:	Exterior and interior AISI 304 stainless steel.
Inner corners:	Rounded for easy cleaning and ensuring maximum hygiene
Handle:	Stainless steel AISI 304, 2 mm thick
Racks and slides:	Stainless steel AISI 304, quick release
Cosmo:	Wi-Fi remote control system

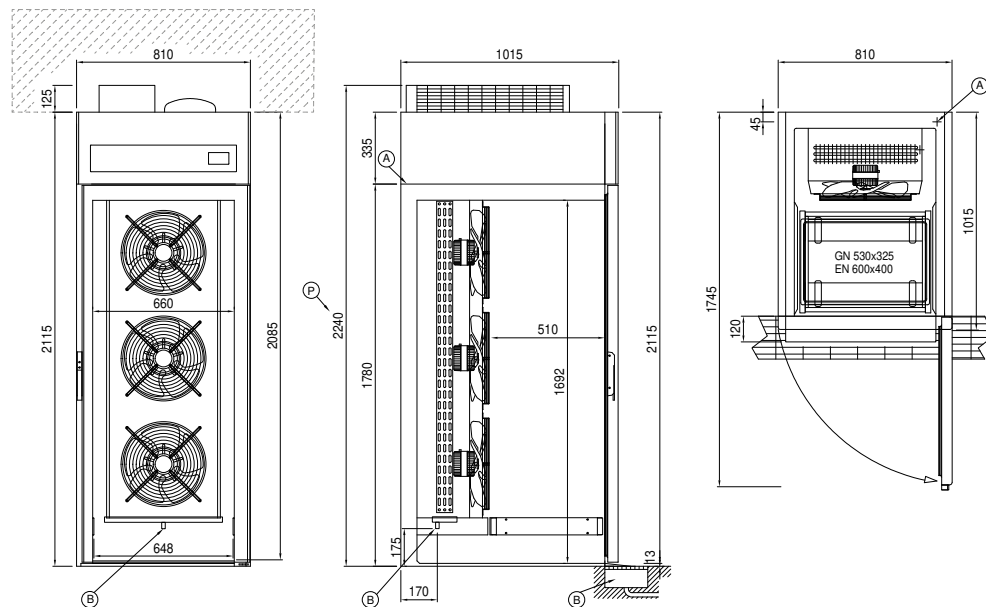
Accessories and variants

- _____ RAL customisable colouring
- _____ Sonda al cuore a 3 punti di lettura
- _____ Sonda al cuore riscaldata a 1 punto di lettura
- _____ Inversione apertura porta
- _____ Single-phase 50Hz power supply or 60Hz
- _____ Three phase 50Hz power supply or 60Hz
- _____ Power supply frequency 60Hz
- _____ Other special voltage
- _____ Trolley GN1/1 20 trays 598x530x1630 mm
- _____ Sterilizing UV lamp (U version)

COSMO - wi-fi control

Cosmo is the wi-fi technology that allows MODI blast chillers to be connected, updated and monitored from smartphones. MODI is also a Cosmo hub and allows remote supervision of the Coldline appliances connected to it. From the CosmoApp you can check the operating conditions of each machine and receive alerts in the event of abnormal operation.

Technical draw



A: Power supply cable outlet

B: Condensation water drain

Q: Plug-In

R: Gas output pipes

In order to constantly offer the best possible products we reserve the right to make changes on technical specifications without incurring any obligation for equipment previously or subsequently sold.