

Client _____ Quantity _____
Project _____ Position _____

Modi Up Power Blast Chiller

Model: W20PU

Cod: W11193100001



Technical data

Top:	4 cm thickness
Gross capacity:	513 lt
Temperature range:	-40°+10°C
Ventilation range:	25% - 100%
Humidifier:	Not available
Refrigerant unit:	Plug-in
Yield +90 / +3:	80 Kg
Yield +90 / -18:	60 Kg
Climate class:	5
Cooling gas:	R452a
Defrost:	Hot gas
Valve:	Mechanical expansion
Dimensions (mm):	1100×1045×1843 mm
Packing dimensions:	1180×1125×1905 mm
Gross weight:	215 Kg
Voltage:	400-415 V - 50-60 Hz
Total rate:	6150 W
Absorbed Current:	11,81 A
Cooling capacity:	9820 W*
*:	Evap. -10°C Cond. +45°C

Features

Functions:	Blast chilling, shock freezing, continuous cycle
Standard equipment:	10 slides GN2/1, EN60x80
Control:	4,3" touch screen display with USB port
Doors:	With odour control system
Door gasket:	Magnetic, triple chamber and easily replaceable
Core probe:	Needle probe with 1 reading point, quick-release and easily replaceable
Insulation:	60 mm thickness - CFC/HCFC free
Exterior/interior finishing:	Exterior and interior AISI 304 stainless steel.
Inner corners:	Rounded for easy cleaning and ensuring maximum hygiene
Handle:	Stainless steel AISI 304, 2 mm thick
Racks and slides:	Stainless steel AISI 304, quick release
Feets:	AISI 304 stainless steel adjustable h 100/150 mm
Cosmo:	Wi-Fi remote control system

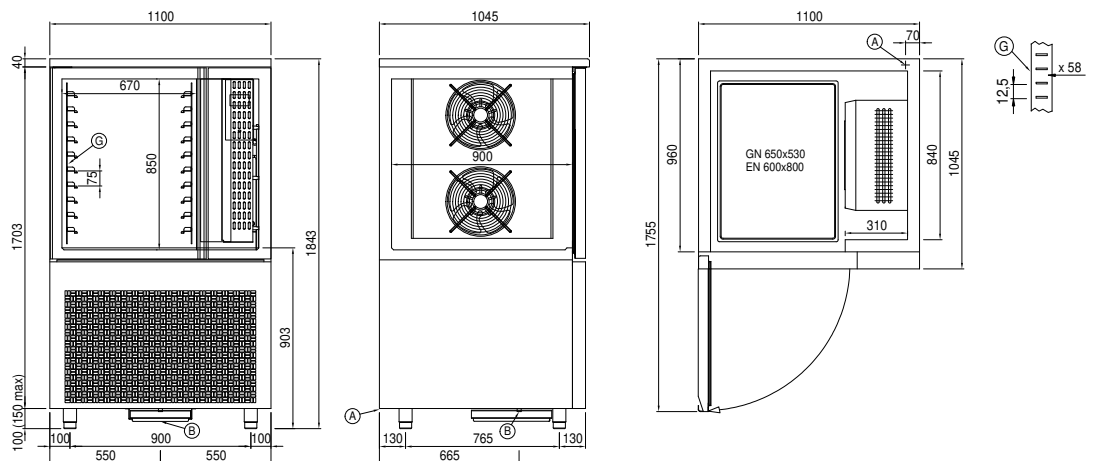
Accessories and variants

- RAL customisable colouring
- Sonda al cuore a 3 punti di lettura
- Sonda al cuore riscaldata a 1 punto di lettura
- Inversione apertura porta
- Single-phase 50Hz power supply or 60Hz
- Three phase 50Hz power supply or 60Hz
- Power supply frequency 60Hz
- Lowered foot h 55/70 mm
- 4 Swivel and brake castors h 128 mm
- Stainless steel shelf GN1/1
- Plastic coated shelf GN1/1
- Stainless steel shelf EN60x40
- Plastic coated shelf EN60x40
- Stainless steel shelf GN2/1
- Plastic coated shelf GN2/1
- Pair of type L slides 755 mm GN2/1-EN60x80
- Run-in slide for mobile oven rack Rational 102
- Sterilizing UV lamp (U version)

COSMO - wi-fi control

Cosmo is the wi-fi technology that allows MODI blast chillers to be connected, updated and monitored from smartphones. MODI is also a Cosmo hub and allows remote supervision of the Coldline appliances connected to it. From the CosmoApp you can check the operating conditions of each machine and receive alerts in the event of abnormal operation.

Technical draw



A: Power supply cable outlet

B: Condensation water drain

G: Racks pitch

In order to constantly offer the best possible products we reserve the right to make changes on technical specifications without incurring any obligation for equipment previously or subsequently sold.